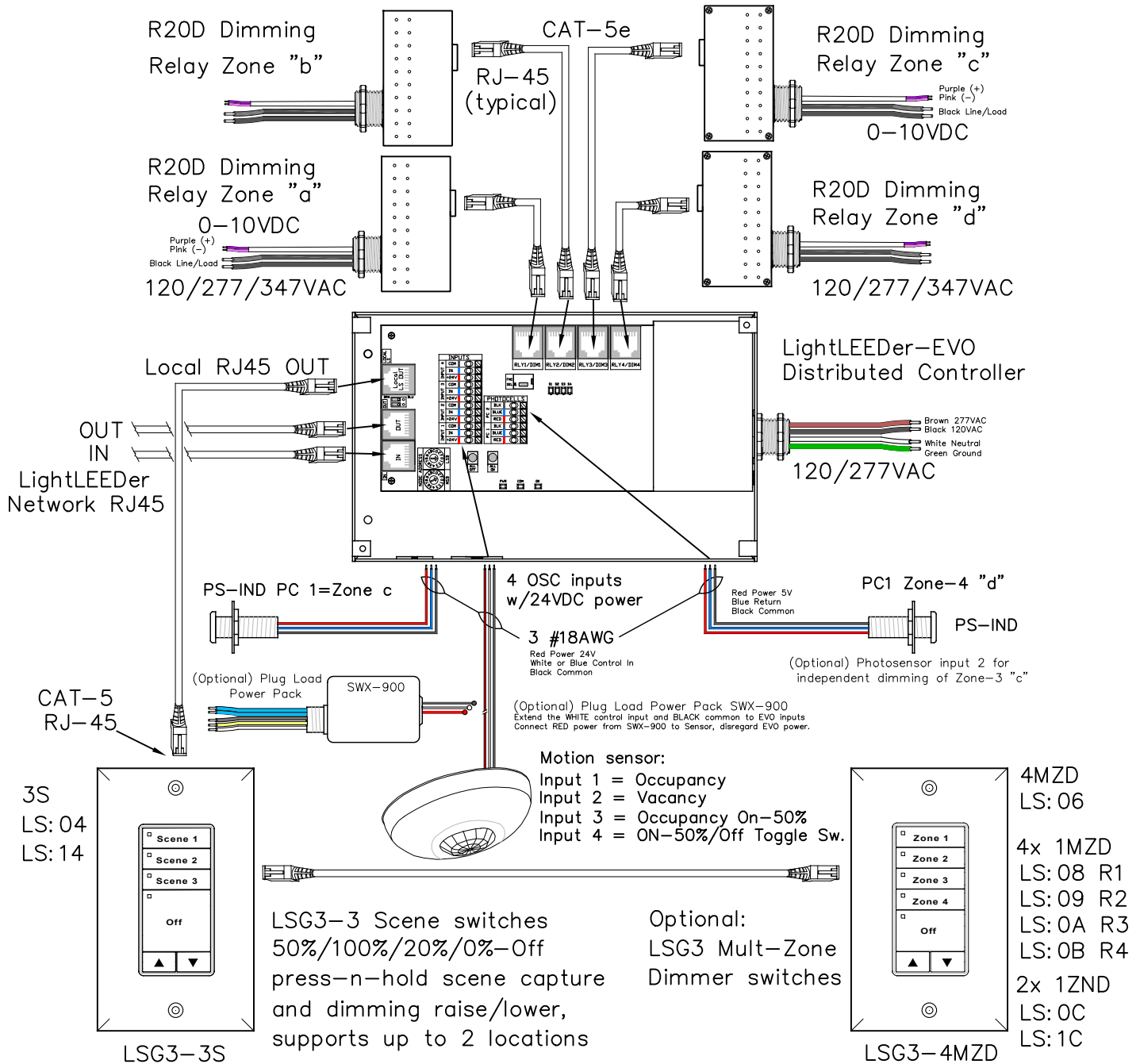


(F0) Library, Lobby, 4-Zone, 2-Daylight Zone



LightLEEDer EVO panel used for controlling 1 room with 4 zones each. 2/4-SMZD LS: 18
Remotely mounted R20D relays, for Cafeteria Library or other public spaces.
Two daylight sensor inputs w/independent zone settings, motion sensor inputs for Occupancy/Vacancy/Occ-ON 50% and a optional hardwire toggle switch.
Optional plug-load relay, LightSync digital Scene switch or Multi-Zone Dimmer with press-n-hold dimming, supports power for 1 to 8 LightSync input devices.



5229 Edina Industrial Blvd.
Minneapolis, MN 55439
952.829.1900 | ilc-usa.com

Project:

(F0) Library, Lobby Pre-Program Control
4-Zone, 2-Daylight Zone
LightLEEDer EVO Distributed Controller

SHEET INFORMATION

DATE: 1-14-2022

SCALE: NONE

DRAWN BY: JM

GO#

Sheet:

F0-EVO

Rev: E