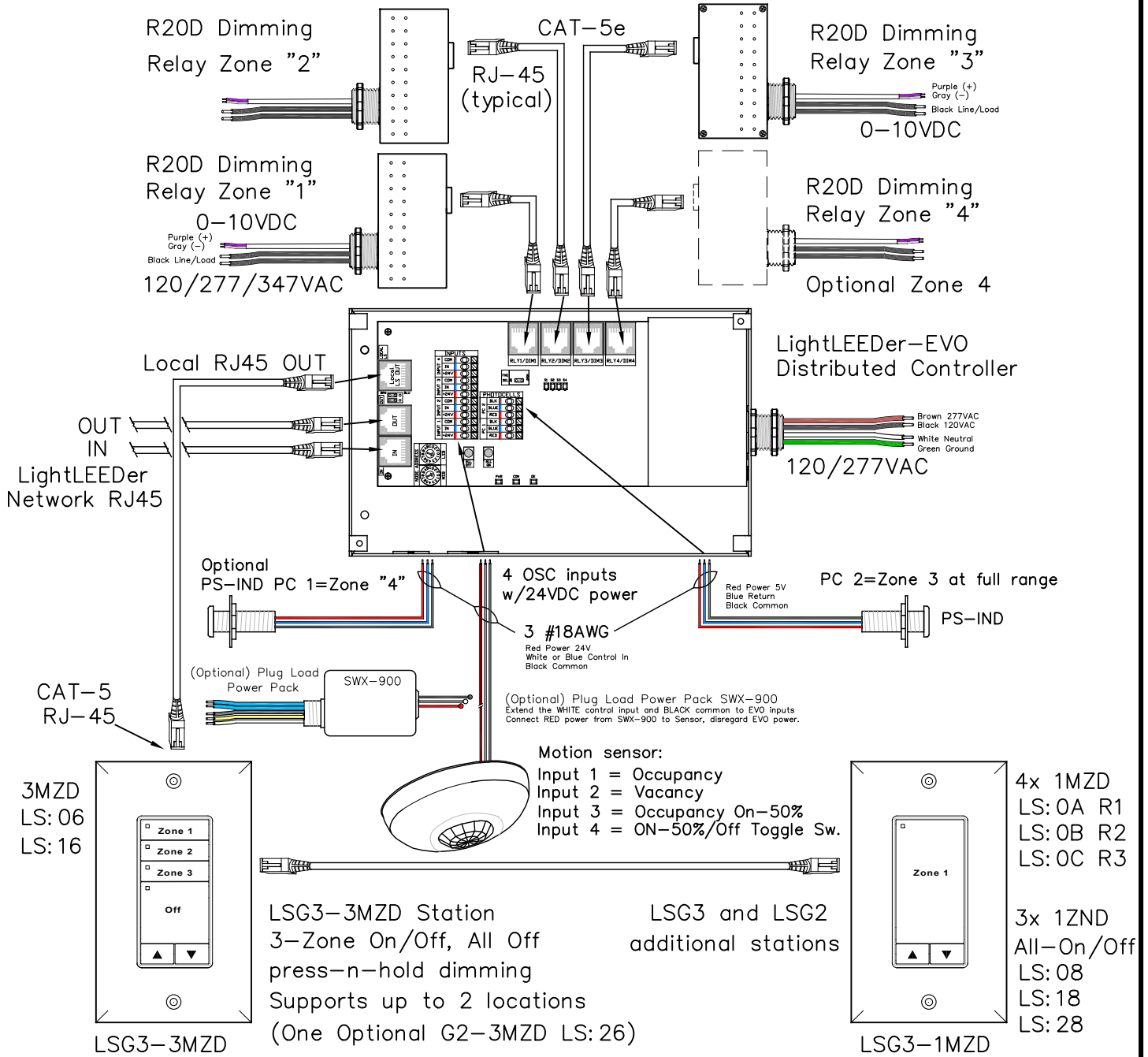



(F1) LL-EVO 1-Room, 3-Zone, 1-Daylight Zone



LightLEEDer EVO panel used for controlling 1 room with 3 zones.
 Remotely mounted R20D relays, for Open Office spaces.
 Two daylight sensor inputs w/independent zone settings, motion sensor inputs for Occupancy/Vacancy/Occ-ON 50% and optional hardwire 2-wire toggle switch.
 Optional plug-load relay, LightSync Digital Multi-Zone Dimmer stations press-n-hold dimming. Supports power for 1 to 8 LightSync input devices.

 <p>5229 Edina Industrial Blvd. Minneapolis, MN 55439 952.829.1900 ilc-usa.com</p>	Project:	(F1) LL-EVO Lighting Application Sheet 1-Room, 3-Zone, 1-Daylight Zone LightLEEDer EVO Distributed Controller		
	SHEET INFORMATION			
	DATE: 4-20-2020			
	SCALE: NONE			
	DRAWN BY: JM			
	GO#	---	Sheet: F1-EVO	
		Rev: C		