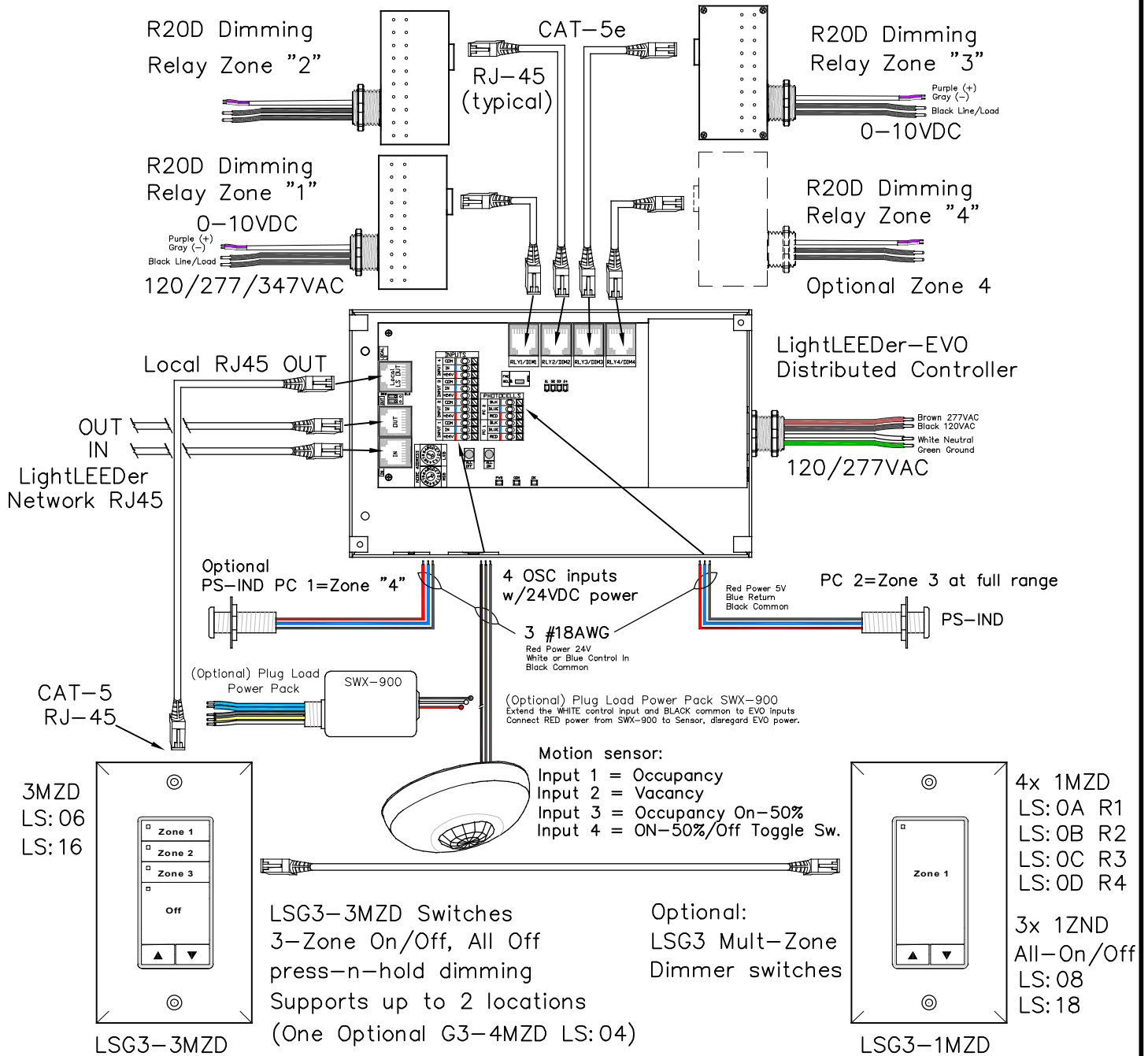


# (F1) LL-EVO 1-Room, 3-Zone, 1-Daylight Zone



LightLEEDer EVO panel used for controlling 1 room with 3 zones.  
Remotely mounted R20D relays, for Open Office spaces.  
Two daylight sensor inputs w/independent zone settings, motion sensor inputs for Occupancy/Vacancy/Occ-ON 50% and optional hardwire 2-wire toggle switch.  
Optional plug-load relay, LightSync Digital Multi-Zone Dimmer switches with press-n-hold dimming. Supports power for 1 to 8 LightSync input devices.



5229 Edina Industrial Blvd.  
Minneapolis, MN 55439  
952.829.1900 | ilc-usa.com

Project:

(F1) LL-EVO Lighting Application Sheet  
1-Room, 3-Zone, 1-Daylight Zone  
LightLEEDer EVO Distributed Controller

SHEET INFORMATION

DATE: 5-11-2021

SCALE: NONE

DRAWN BY: JM

GO#

---

Sheet:

F1-EVO

Rev: D