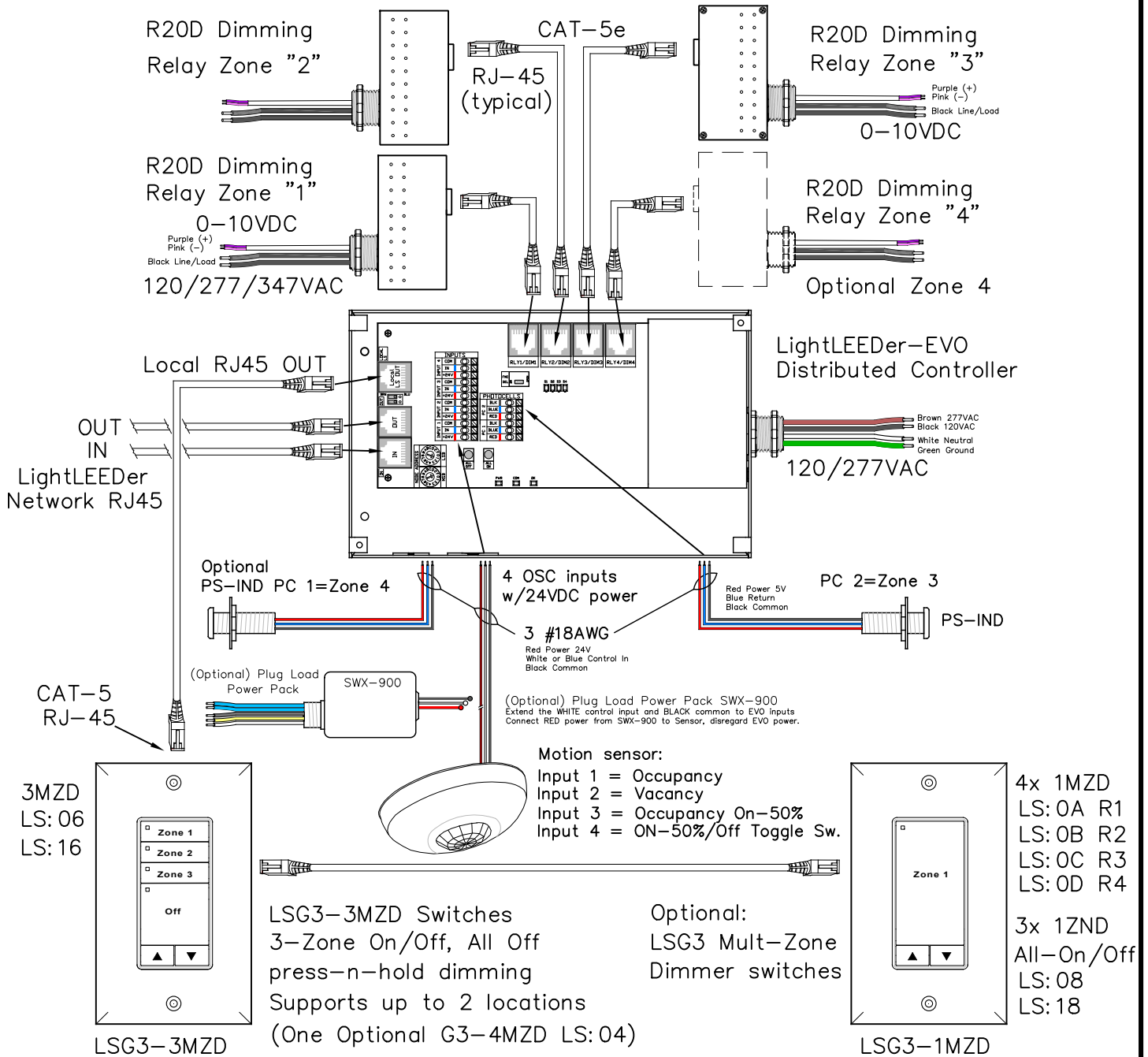


(F1) General Room, 3-Zone, 1 or 2-Daylight Zone



LightLEEDer EVO panel used for controlling 1 room with 3 zones.
Remotely mounted R20D relays, for Open Office spaces.
Two daylight sensor inputs w/independent zone settings, motion sensor inputs for Occupancy/Vacancy/Occ-ON 50% and optional hardwire 2-wire toggle switch.
Optional plug-load relay, LightSync Digital Multi-Zone Dimmer switches with press-n-hold dimming. Supports power for 1 to 8 LightSync input devices.



5229 Edina Industrial Blvd.
Minneapolis, MN 55439
952.829.1900 | ilc-usa.com

Project:

(F1) General Room Pre-Program Control
1-Room, 3-Zone, 1 or 2-Daylight Zone
LightLEEDer EVO Distributed Controller

SHEET INFORMATION

DATE: 1-14-2022

SCALE: NONE

DRAWN BY: JM

GO#

Sheet:

F1-EVO

Rev: E