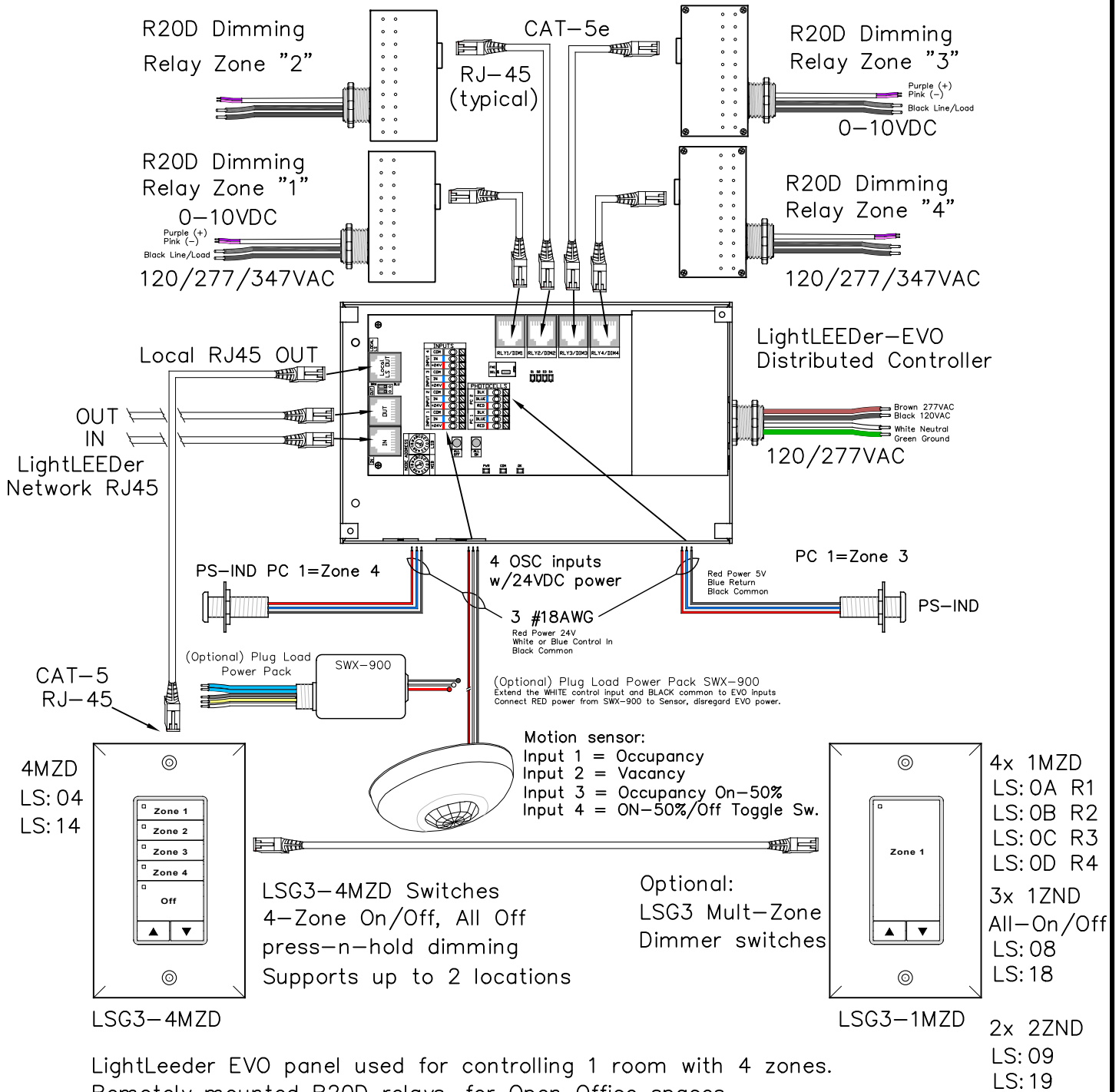


# (F1) General Room, 4-Zone, 1 or 2-Daylight Zone



LightLEEDer EVO panel used for controlling 1 room with 4 zones.  
 Remotely mounted R20D relays, for Open Office spaces.  
 Two daylight sensor inputs w/independent zone settings, motion sensor inputs for Occupancy/Vacancy/Occ-ON 50% and optional hardwire 2-wire toggle switch.  
 Optional plug-load relay, LightSync digital Multi-Zone Dimmer switches with press-n-hold dimming. Supports power for 1 to 8 LightSync input devices.



5229 Edina Industrial Blvd.  
 Minneapolis, MN 55439  
 952.829.1900 | ilc-usa.com

Project:

**(F1) General Room Pre-Program Control**  
**1-Room, 4-Zone, 1 or 2-Daylight Zone**  
**LightLEEDer EVO Distributed Controller**

SHEET INFORMATION

DATE: 1-14-2022

SCALE: NONE

DRAWN BY: JM

GO#

Sheet:

---

F1-EVO

Rev: E