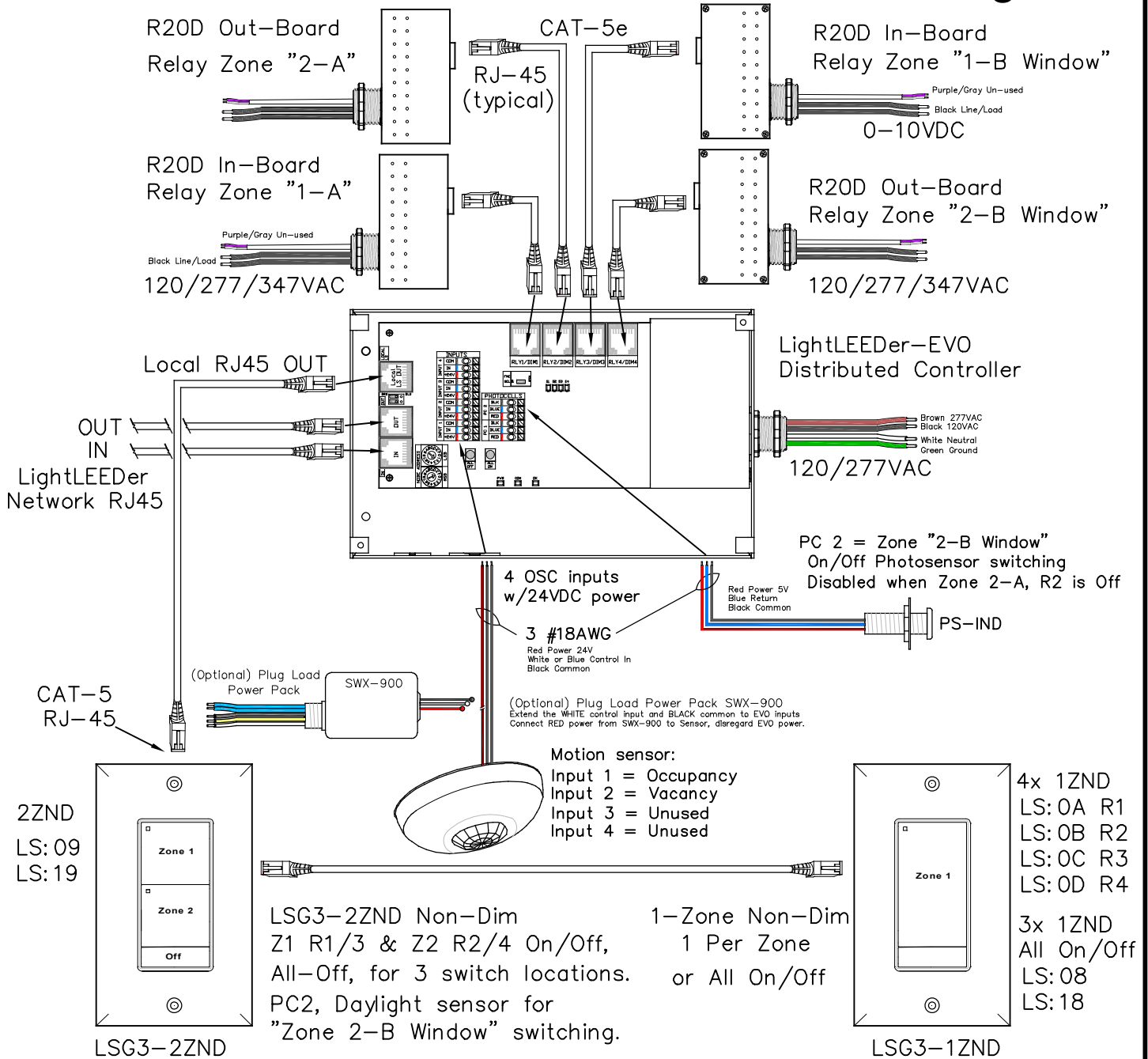


(F2) LL-EVO 1-Room, 2-Zone, 1-Daylight Zone A/B - Inboard/Outboard On/Off dimming



LightLEEDer EVO panel used for controlling 1 room with 2 zones A/B switching
 Remotely mounted R20D relays, for Open spaces requiring In-Board/Out-Board.
 Daylight sensor input 2 for Zone 2-B Window On/Off switching, Disabled when Zone 2-A is Off, motion sensor inputs for Occupancy/Vacancy.
 Optional plug-load relay, LightSync digital 2-Zone Non-Dim, 4x 1-Zone non-dim, or 1-Zone All On/Off toggle. Supports power for 1 to 8 LightSync input devices.



5229 Edina Industrial Blvd.
 Minneapolis, MN 55439
 952.829.1900 | ilc-usa.com

Project:

(F2) LL-EVO Lighting Application Sheet
 1-Room, A/B switching, 1-Daylight Zone
 LightLEEDer EVO Distributed Controller

SHEET INFORMATION

DATE: 5-11-2021

SCALE: NONE

DRAWN BY: JM

GO#

Sheet:

F2-EVO

Rev: D