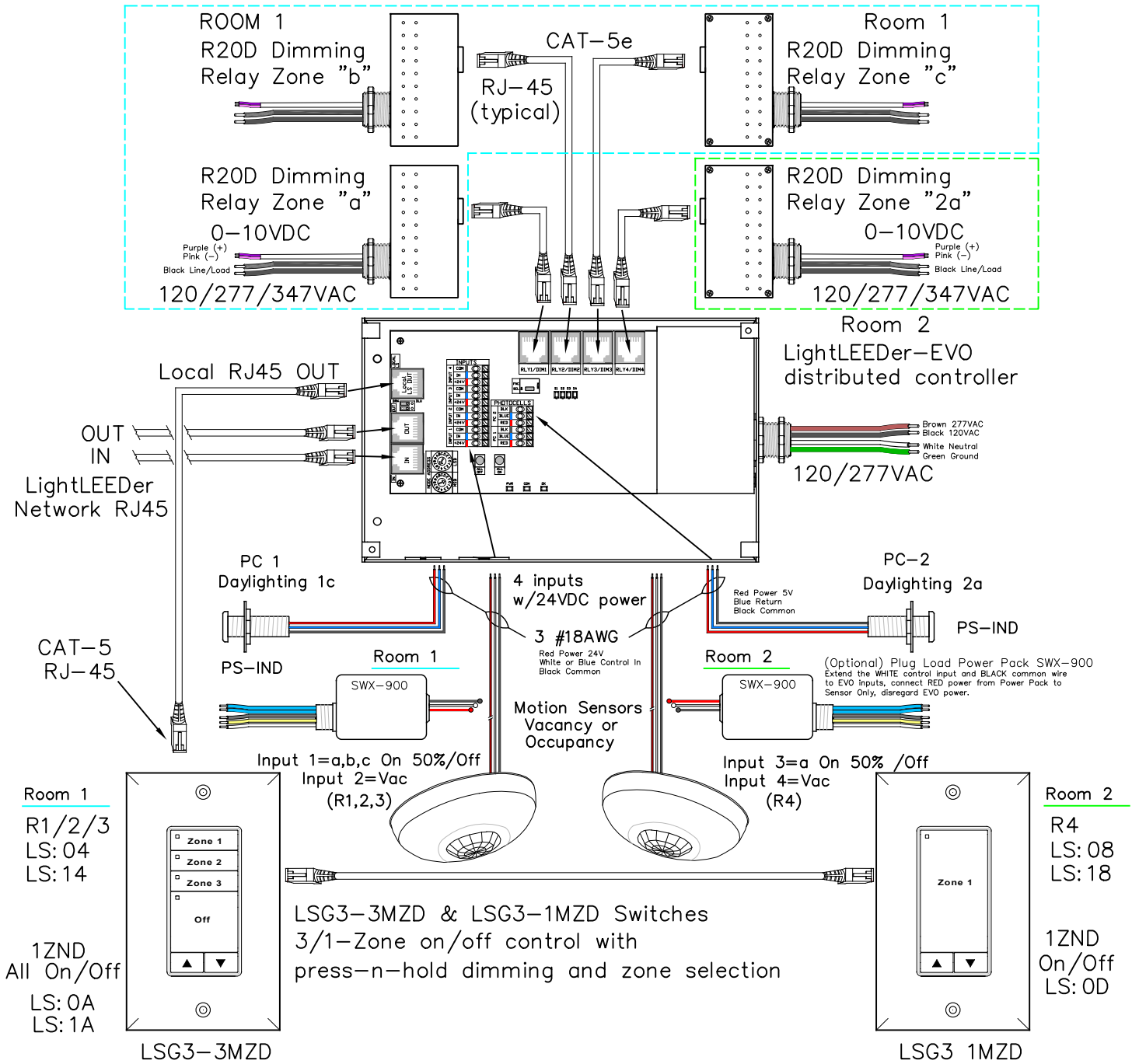


(F5) Two Room, 3/1-Zone, 1-Daylight Zone



LL-EVO panel used for controlling 2 independent rooms with 3/1 zones
 LightLEEDer EVO 4-Zone panel with 4-remotely mounted R20D relays.
 Two daylight sensor inputs with independent zone settings, motion sensor inputs for up to 4 independent zones, or hardwire switch. Optional plug-load relay, Local LightSync output for Multi-Zone Dimmer switch with raise/lower press-n-hold dimming. Supports 1 to 8 LightSync input devices.



5229 Edina Industrial Blvd.
 Minneapolis, MN 55439
 952.829.1900 | ilc-usa.com

Project:

(F5) Two Room Pre-Program Control
 2-Room, 3/1-Zone, 1-Daylight Zone
 LightLEEDer EVO Distributed Controller

SHEET INFORMATION

DATE: 1-14-2022

SCALE: NONE

DRAWN BY: JM

GO#

Sheet:

F5-EVO

Rev: E