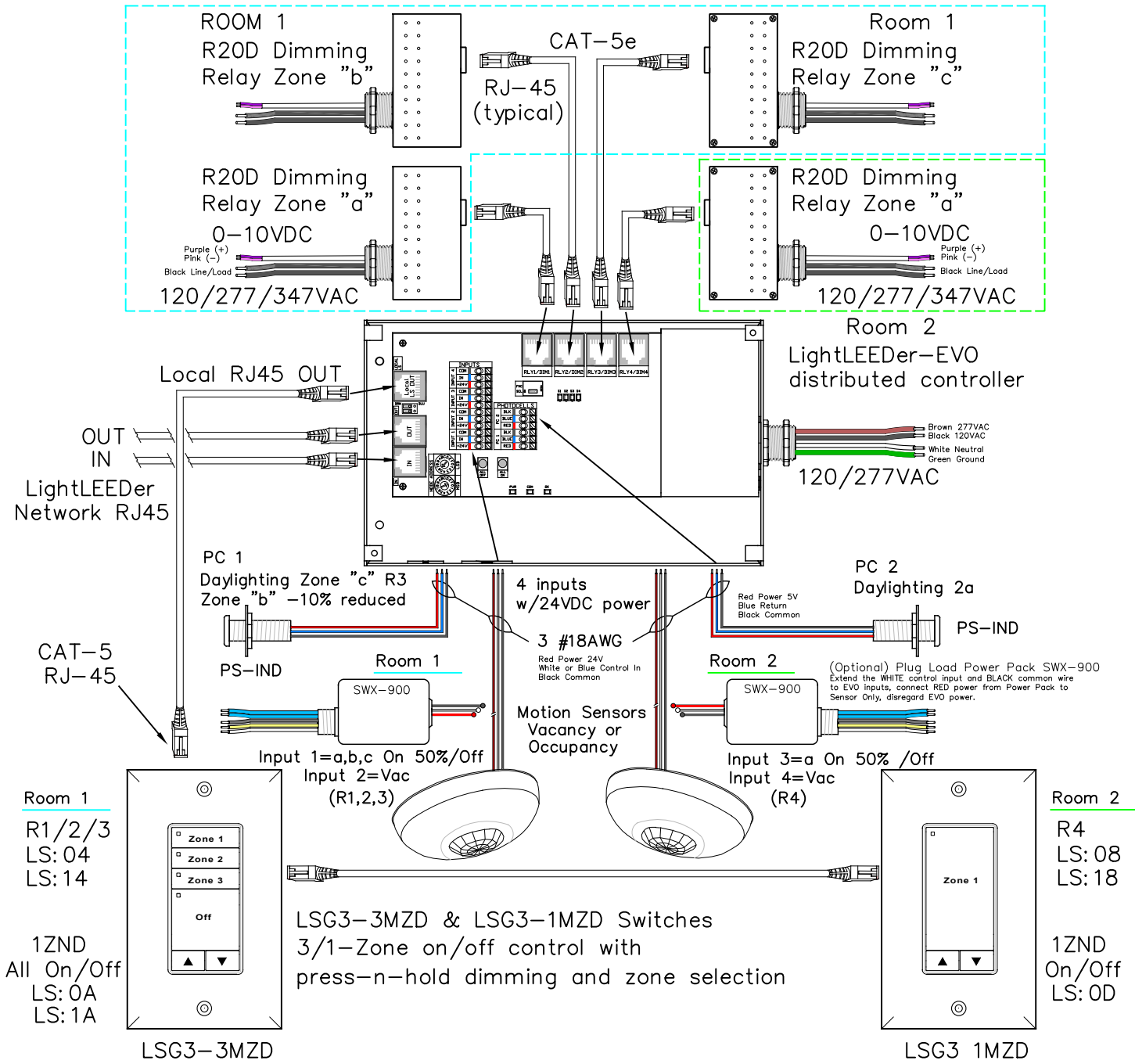



(F6) Two Room, 3/1-Zone, 2/1-Daylight Zone



LL-EVO panel used for controlling 2 independent rooms with 3/1 zones
 LightLEEDer EVO 4-Zone panel with 4-remotely mounted R20D relays.
 Two daylight sensor inputs with independent zone settings, motion sensor inputs for up to 4 independent zones, or hardwire switch. Optional plug-load relay, Local LightSync output for Multi-Zone Dimmer switches with raise/lower press-n-hold dimming. Supports 1 to 8 LightSync input devices.

 <p>5229 Edina Industrial Blvd. Minneapolis, MN 55439 952.829.1900 ilc-usa.com</p>	Project:	(F6) Two Room Pre-Program Control 2-Room, 3/1-Zone, 2/1-Dayligh Zone LightLEEDer EVO Distributed Controller	
	SHEET INFORMATION		
	DATE: 1-14-2022		
	SCALE: NONE		
	DRAWN BY: JM	GO#	Sheet:
	---	F6-EVO	
	Rev: E		