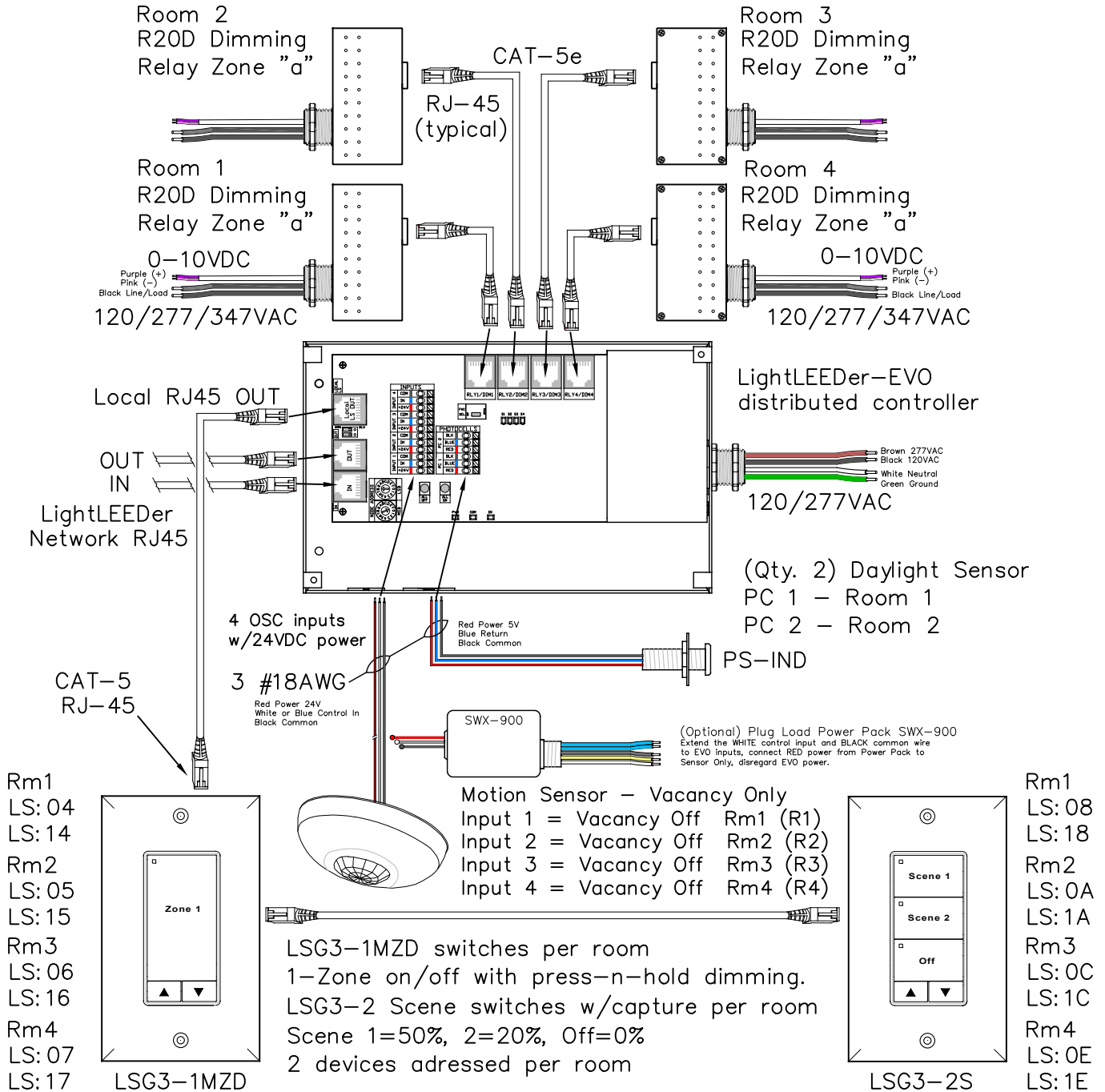


# (F8) Four Office, 1-Zone, Vacancy, 1-Daylight



LightLEEDer EVO 4-Zone panel with 4-remotely mounted R20D relays  
 On-board Daylight Sensor inputs for Rm 1&2 (Remote input LS:11&12 for RM3&4)  
 Motion Sensor Vacancy Off 1-4 for Rm 1-4 , Local LightSync port for LSG3 or G2  
 Multi-Zone Dimmer switches with raise/lower or 2-Scene switches, press-n-hold dimming. Supports from 1 to 8 LightSync input devices.  
 Optional LSIM modules for hardwire On/Off switch 3-wire (LS:13) 2-Wire (LS:23)