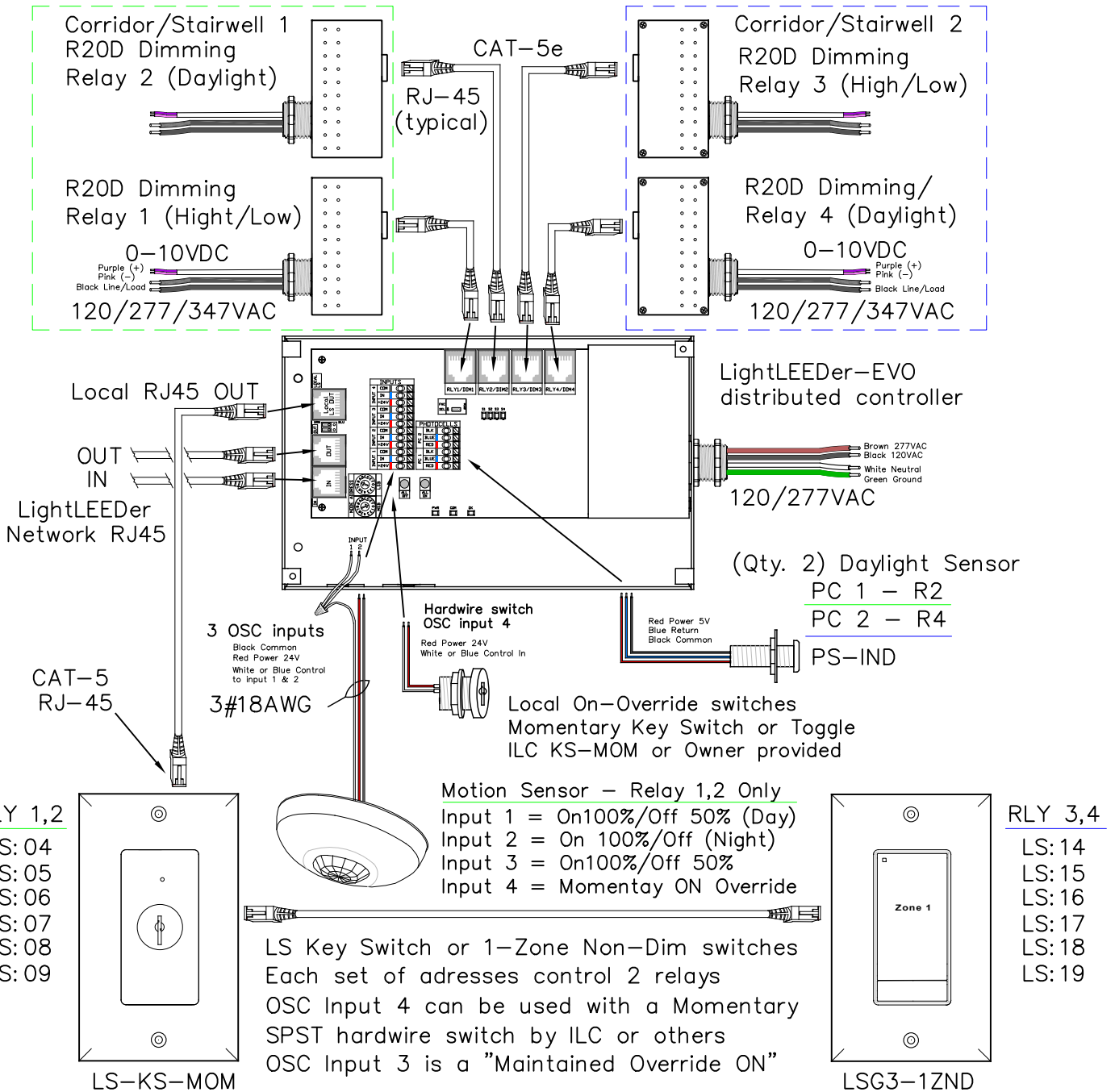


(F9) Corridor, 2-Zone, 1-Daylight

Motion Sensor 100% Occupied/ 50% Vacancy Dimming



LightLEEDer EVO 4-Zone panel with 4-remotly mounted R20D relays
On-board Daylight Sensor inputs for R 2 or R4 as Daylight Zones
Motion Sensor inputs 1 & 2 must be used as a set for Day/Night operation
Panel timer operation enables/disables inut to change operation
LightSync Keyswitch or 1-Zone Non-Dim for R1,2 or 3,4 corridor or stairwell
Optional LSOSI (LS:13) can be connected for sensors controlling R3,4 corridor 2



5229 Edina Industrial Blvd.
Minneapolis, MN 55439
952.829.1900 | ilc-usa.com

Project:

(F9) Corridor Pre-Program Control
2-Corridor, 2-Zone, 1-Daylight
OSC inputs for High/Low Day - On/Off Night
LightLEEDer EVO Distributed Controller

SHEET INFORMATION

DATE: 1-14-2022

SCALE: NONE

DRAWN BY: JM

GO#

Sheet:

F9-EVO

Rev: E