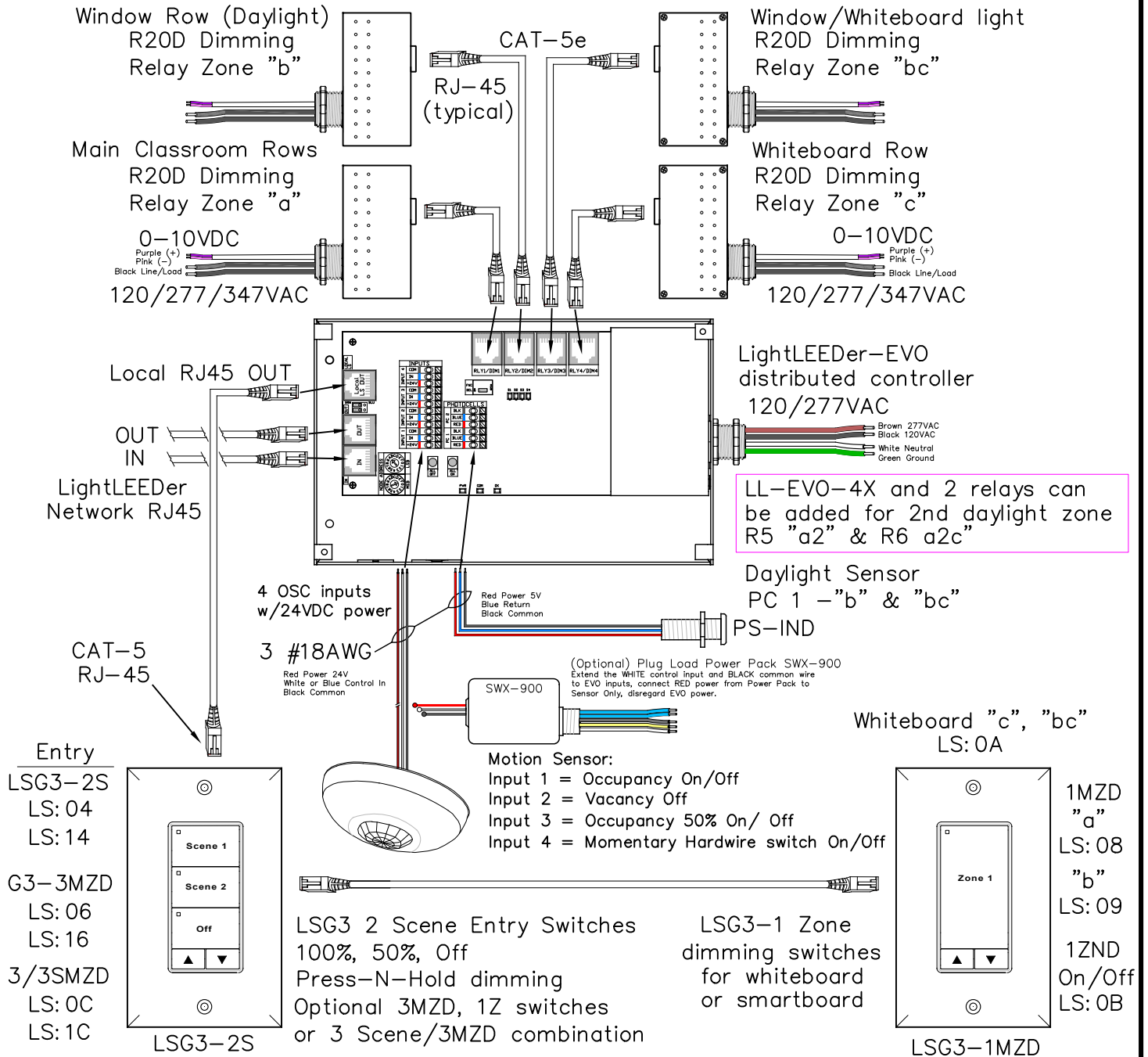


(FA) Classroom, 3-Zone 1-Daylight Zone

a - b - bc - c Lighting Zones, 2-Scene



LightLEEDer EVO 4-Zone panel with 4-remotly mounted R20D relays
Daylight sensor for window row lighting control, motion sensor inputs for Occupancy On/Off, Vacancy Off, Occ 50% On/Off or local hardwire switch.
Local LightSync devices for Scene or MZD switches with raise/lower dimming All On/Off, and Whiteboard control. Supports up to 8 LightSync input devices.



5229 Edina Industrial Blvd.
Minneapolis, MN 55439
952.829.1900 | ilc-usa.com

Project:

(FA) Classroom Pre-Program Control
1-Classroom, 3-Zone, 1-Daylight Zone
"a", "b", "bc", "c" Lighting Zones, 2-Scene
LightLEEDer EVO Distributed Controller

SHEET INFORMATION

DATE: 1-14-2022

SCALE: NONE

DRAWN BY: JM

GO#

Sheet:

FA-EVO

Rev: E