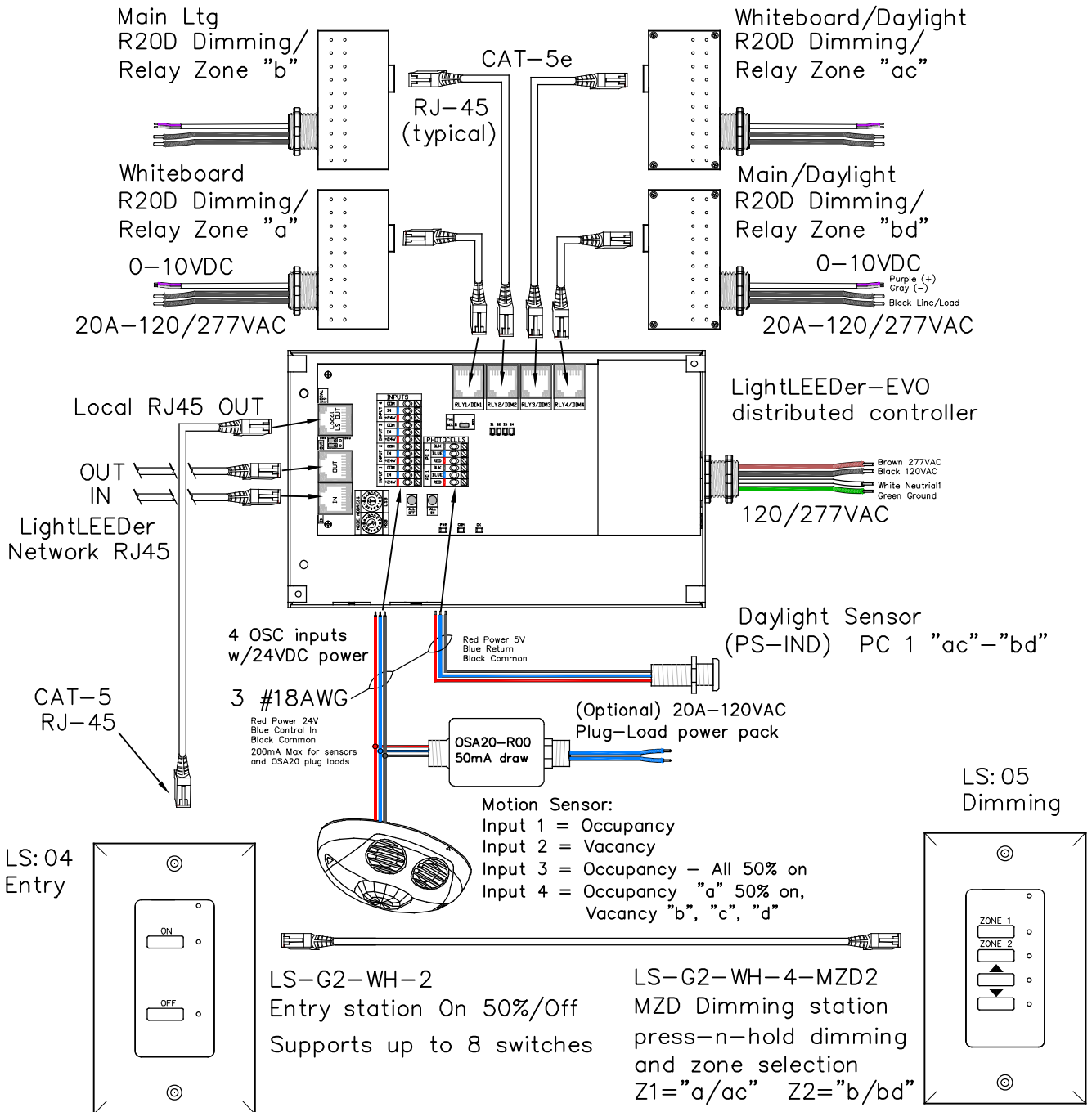


# (FB) LL-EVO 1-Classroom, 4-Zone, 1-Daylight Zone

## a - b - ac - bd Lighting Zones



LightLEEDer EVO 4-Zone panel with 4-remotly mounted R20D relays  
 Daylight Sensor with independent zone settings, Motion sensor inputs for up to 4 independent zones or local hardwire switch. Optional plug-load relay.  
 Local LightSync output for Multi-Zone Dimmer station (MZD) with raise/lower press-n-hold dimming, supports from 1 to 8 LightSync input devices.



INTELLIGENT LIGHTING  
 CONTROLS, INC.  
 5229 Edina Industrial Boulevard  
 Minneapolis, Minnesota 55439  
 Ph: 952.829.1900 Fax: 952.829.1901  
 1.800.922.8004  
 www.ilc-usa.com

Project:

(FB) LL-EVO Lighting Application Sheet  
 1-Classroom, 4-Zone, 1-Daylight Zone  
 "a", "b", "ac", "bd" Lighting Zones  
 LightLEEDer EVO Distributed Controller

SHEET INFORMATION

DATE: 2-15-2018

SCALE: NONE

DRAWN BY: JM&BE

GO#

---

Sheet:

FB-EVO