

Apprentice3

1-Pole Relay Board

Overview

The 1 Pole Relay (AP3R-1) Board mounts directly in Apprentice3 lighting control panels and is designed to control up to 347 VAC loads. The relays are a latching type, and can be mixed in the lighting controller with AP3R-1 relay boards. These relay boards are easily mounted in the Apprentice3 panel with a push-on connector interface and a single screw.



Features

- Made in the USA
- UL Listed
- Mounts in the panel with a push-on connector and a single screw.

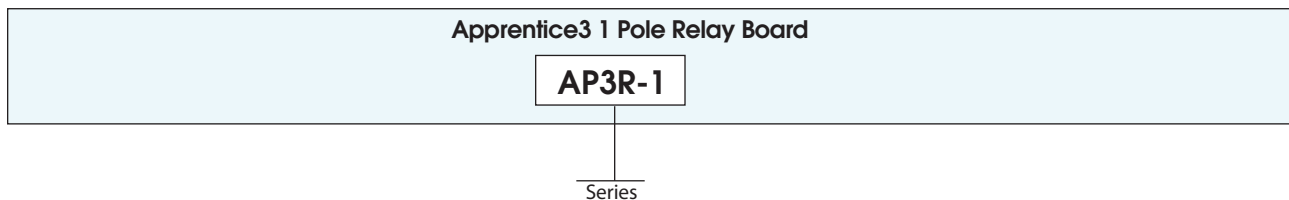
High Voltage Characteristics

- Contacts are a latching type SPST
- Screw type terminals handle #10AWG solid or stranded copper wire
- 16 amp lighting load rated
- Plug-load compatible

Warranty

One year limited warranty

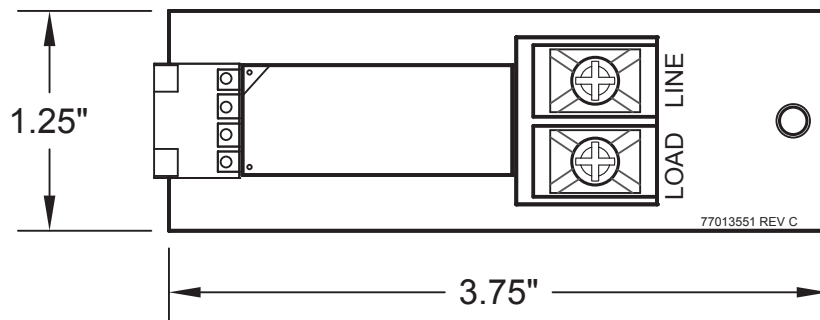
Ordering



Apprentice3

1-Pole Relay Board

Physical



Specifications

Physical:

- 3.75"W x 1.5"H x 1.3"D
- Plug-in module designed for mounting directly to Apprentice 3 I/O board(s)

Electrical:

- 16 amp electronic ballast
- 16 amp ballast
- 16 amp resistive
- 16 amp general
- 50 to 60 Hz
- Up to 347 VAC circuits
- Plug-load compatible

Operating Environment:

- Location Interior space
- Operating Temperature 0° to 40° C
- Relative Humidity 10% to 90% Non-condensing
- Atmosphere Non-explosive, Non-corrosive
- Vibration Stationary application NEMA Level A

Certifications:

- UL CUL
- FCC approval for commercial and residential use