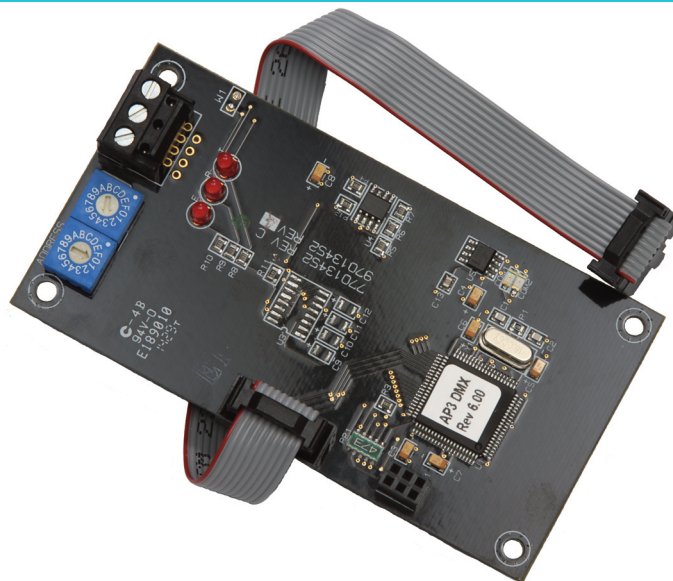


Apprentice3

DMX Interface

Overview

The Apprentice3 DMX interface add-on module can easily be added to any Apprentice3 programmable lighting control panel to provide for direct control of ON/OFF lighting or other loads from any DMX control device. Any of the available 512 DMX control channels may be mapped to control individual relays and 0-10V dimmer outputs.



Features

- Made in the USA
- Digital CAT-5 Ready
- Once plugged into the lighting control panel, DMX control functions can be programmed and reviewed directly from the lighting panel’s keypad or AP3 software

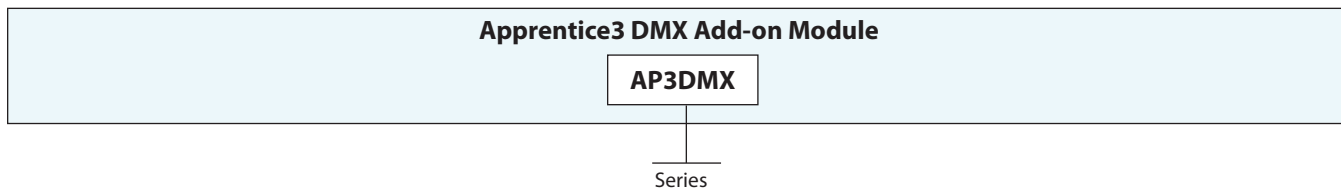
DMX 512 Control

- Adjustable ON and OFF set points
- Each relay may be locked ON/OFF based on DMX levels
- Map any relay to any DMX control channel
- Adjustable DMX frame filter
- DMX control of AP3 0-10V dimmer outputs

Warranty

One year limited warranty

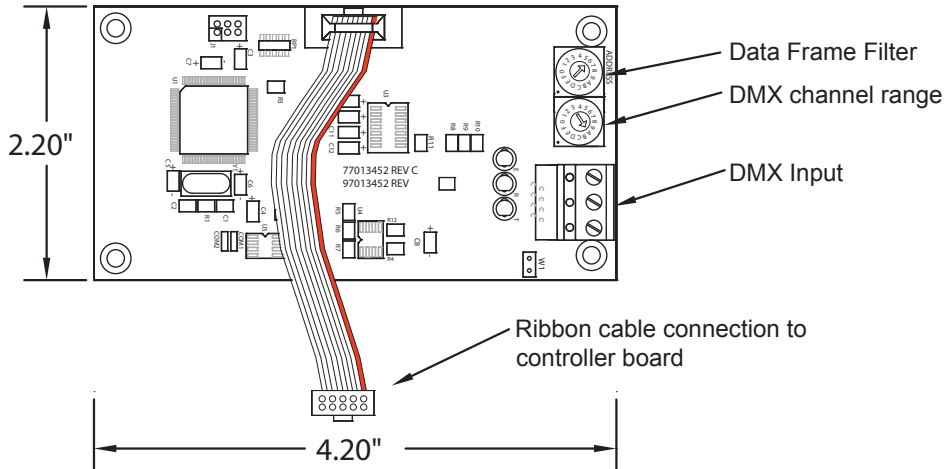
Ordering



Apprentice3

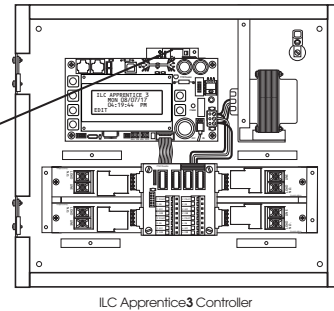
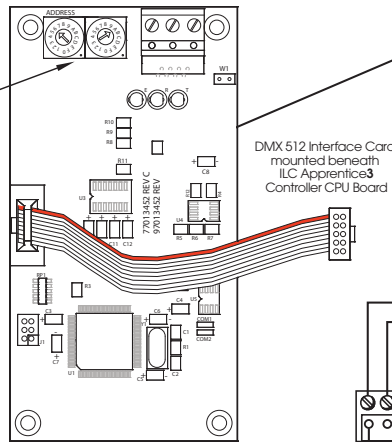
DMX Interface

Physical

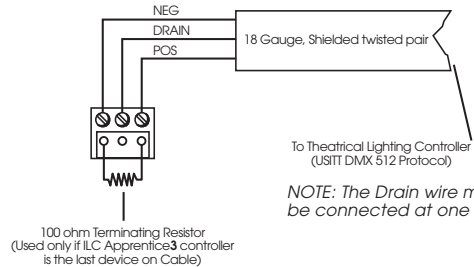


ADDRESS	
SW1 (Left) Data Filter	SW2 (Right) DMX Sweep/Instant
0 = None	0 = 1-64 Sweep
1 = 2	1 = 1-128 Sweep
2 = 3	2 = 1-256 Sweep
3 = 4	3 = 1-512 Sweep
4 = 5	4 = 1-64 Instant
5 = 6	5 = 1-128 Instant
6 = 7	6 = 1-256 Instant
7 = 8	7 = 1-512 Instant
8 = 9	8 = 1-12 Sweep
9 = 10	9 = 1-16 Sweep
A = 11	A = 1-24 Sweep
B = 12	B = 1-32 Sweep
C = 13	C = 1-12 Instant
D = 14	D = 1-16 Instant
E = 15	E = 1-24 Instant
F = 16	F = 1-32 Instant

DMX Interface Hardware Features



ILC Apprentice3 Controller



Specifications

Physical:

- Plug-in module designed for mounting in the Apprentice3 master panel

Configuration:

- Soft configuration

Operating Environment:

- Location Interior space
- Operating Temperature 0° to 40° C (32° to 104° F)
- Relative Humidity 10% to 90% Non-condensing

Certifications:

- UL CUL
- FCC Approval for commercial and residential use