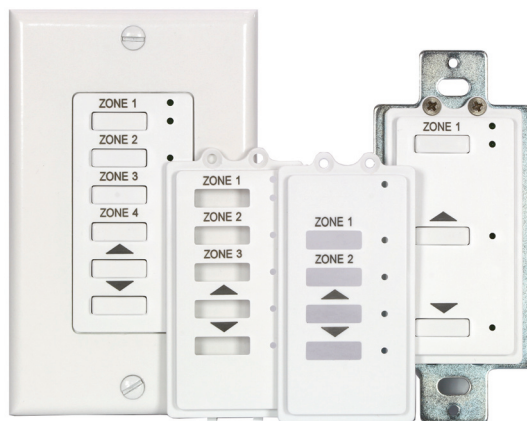


Apprentice 3

LightSync G2 Multi-Zone Dimmer Switch

Overview

The LightSync Digital G2 Multi-Zone Dimmer switch provides control of up to 4 dimmer zones. It provides on/off control and individual/grouped zone dimming with press and hold control. LightSync switch is available in 1, 2, 3, or 4 zone control configurations. This dimmer switch allows the user to select multiple dimmer zones to be controlled at the same time. Uses standard LightSync device addressing and configuration using the ramp up and ramp down operation dimming control option.



Available in White , Ivory and Gray

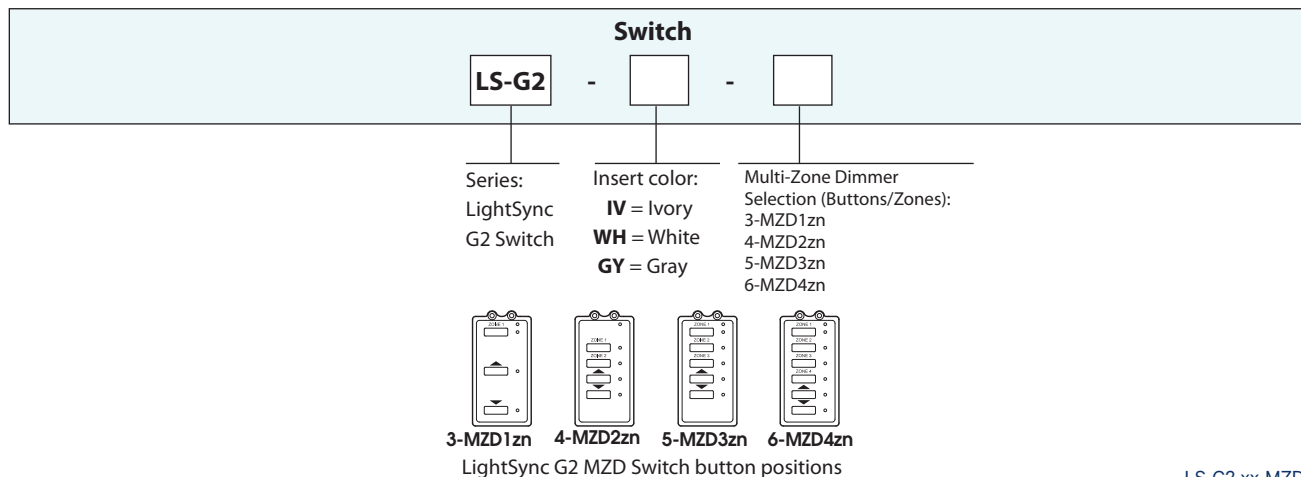
Features

- **Made in the USA**
- **Digital CAT 5** ready
- **Data Line** pushbutton switch station
- **Multi-Zone Dimming** for up to 4 zones
- **Zone Buttons for On/Off** control of relay, group, or preset
- **Raise and Lower Buttons** for ramp up and ramp down feature
- **Press and Hold** dimming operation
- **Switch Locator LED** helps find the switch in a dark room
- **Status LED's** indicate the true state of a relay, group or preset
- **Replaceable** faceplates and buttons
- **Laser engraving** is available for switch identification
- **Remote mount** anywhere on the LightSync network
- **Self powered** from the network
- **Addressable** rotary switches
- **Available in white, ivory, or gray**

Warranty

One-year limited warranty

Ordering

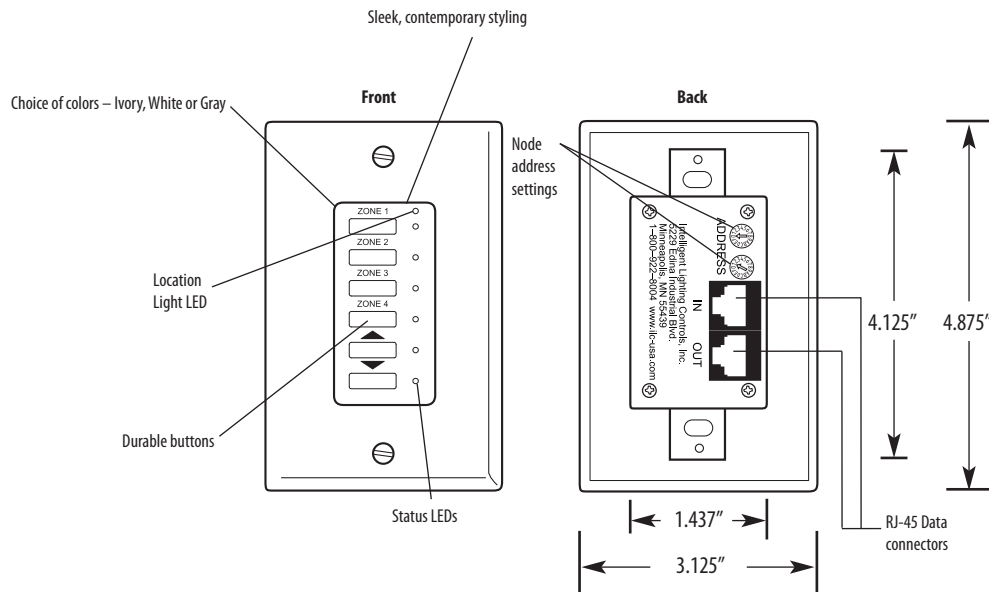


LS-G2-xx-MZDx Rev.C

Apprentice 3

LightSync G2 Multi-Zone Dimmer Switch

Physical



Specifications

Physical:

- Standard single gang mounting
- Digital addressing switches
- RJ45 connectors provided for easy connection
- Mounting screws provided
- Laser engraving up to 10 characters

Electrical:

- Powered from the panel or LightSync network

Operating Environment:

- Location: Interior space
- Operating Temp.: 0° to 50° C
- Humidity: 10% - 90% Non-condensing
- Atmosphere: Non-explosive/corrosive
- Vibration: Stationary

Certifications and Approvals:

- UL CUL
- FCC Part 15