

Apprentice3

Key Switch Stations

Overview

Key Switch stations provide an extra level of security and limit access to lighting control functions to those who possess the appropriate key. Key Switch control stations can be used in public areas where access to control functions must be limited. With LED pilot light and a choice of colors and materials, Key Switch control station switches provide a secure solution to your low voltage switching requirements.



Features

- Made in the USA
- Digital CAT-5 Ready

Switches

- Key Switch control stations are supplied with heavy-duty Single Pole Double Throw (SPDT), Momentary or Maintained Key Switches

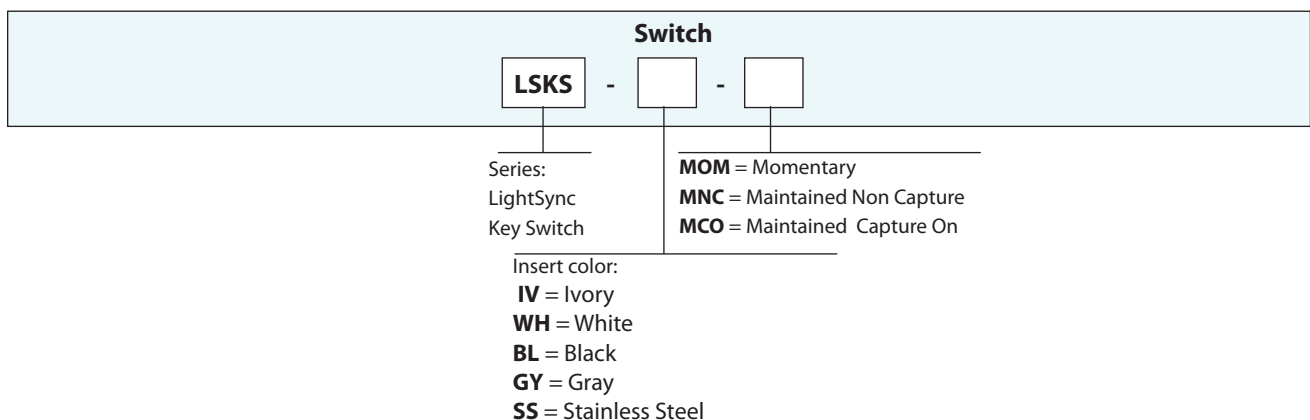
LED Pilot Light

- LED pilot light gives visual confirmation of current control status of a relay, group of relays or a preset. The LED can also be a static “ON” to provide a locator for the switch

Warranty

One year limited warranty

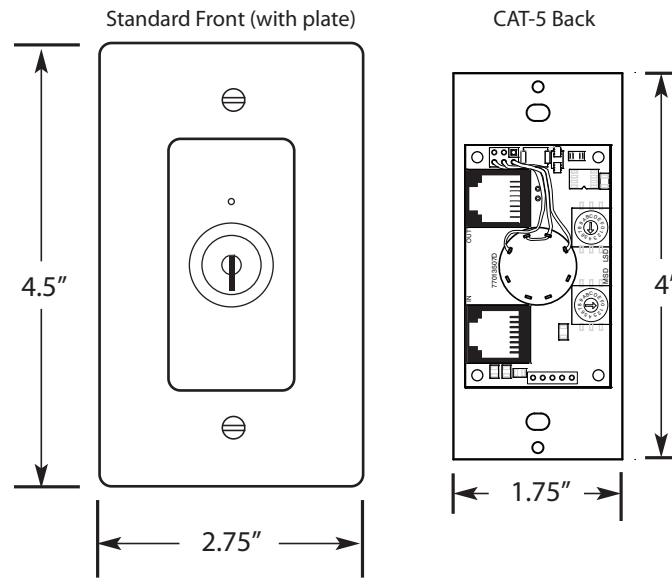
Ordering



Apprentice3

Key Switch Stations

Physical



Specifications

Physical:

- Mounts in standard one gang box spacing
- Mounting screws provided
- Switch colors:
 - Ivory
 - White
 - Black
 - Gray
 - Stainless Steel

Electrical:

- Switch station with with momentary or maintained key switches for ON/OFF operation
- Single Pole Double Throw (SPDT), Momentary or Maintained Key Switches
- Powered from LightSync data line

Operating Environment:

- Location Interior space
- Operating Temperature 0° to 50° C (32° to 112° F)
- Relative Humidity 105 to 95%
- Atmosphere Non-condensing, Non-explosive, Non-corrosive
- Vibration Stationary application, NEMA Level A

Certifications:

- UL CUL
- FCC