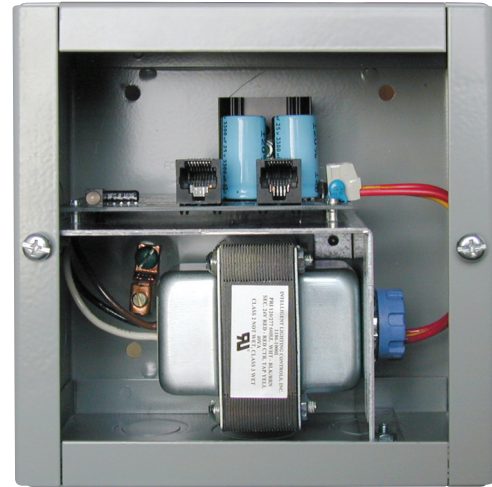


Apprentice 3

LightSync Power Supply

Overview

The LightSync Digital Power Supply operates on the LightSync data line and extends power only to up to 20 additional LightSync devices. This device has one incoming and one outgoing RJ45 port and is the most efficient option to compensate for voltage drop from multiple LightSync devices on the data line. The PS will power up to 20 LightSync devices for an additional 3000 cumulative feet. Note that a PS provides power only and does not affect data.



Features

- Made in the USA
- Digital CAT 5 ready

General Information

- UL Listed
- Mounted in standard NEMA enclosure
- Operates in any position

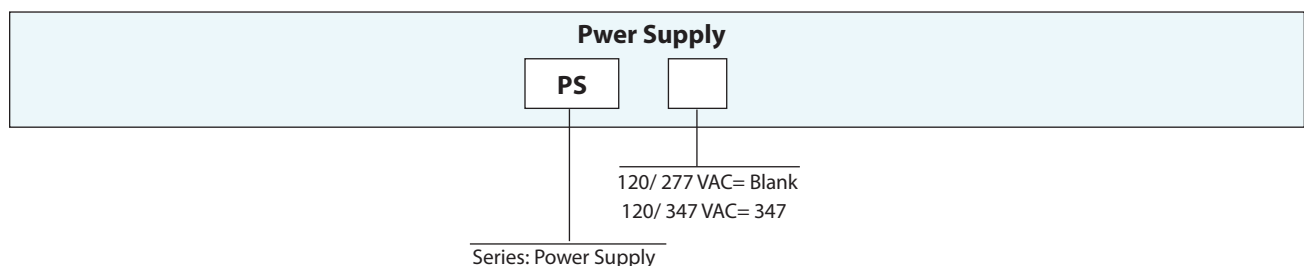
Characteristics

- Adds power for up to 20 additional LightSync control devices in the LightSync network run
- CAT-5 connectivity
- No Programming Required

Warranty

One year limited warranty

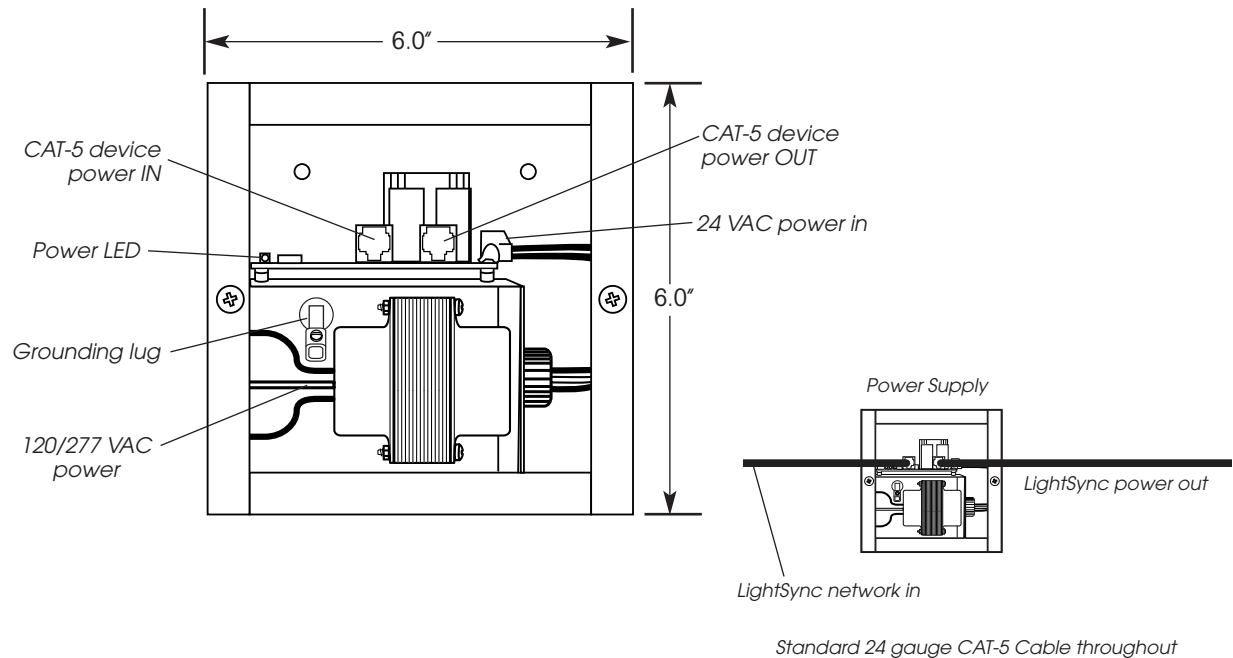
Ordering



Apprentice 3

LightSync Power Supply

Physical



Specifications

Physical:

- Mounted in 6" x 6" x 4" standard NEMA-1 enclosure
- Operates in any position

Electrical:

- 120/277 VAC transformer
- Optional 120/347 VAC

Capacities:

- Powers up to 20 additional LightSync devices an additional 3000 cumulative feet
- Refer to ILC Technical Bulletin #TB 1408 for LightSync cable run distance detail

Operating Environment:

- Location Interior Space
- Operating Temperature 0° to 50° C (32° to 112° F)
- Relative Humidity 10% to 95%
- Atmosphere Non-condensing, Non-explosive, Non-corrosive
- Vibration Stationary application NEMA Level A

Certifications:

- UL CUL