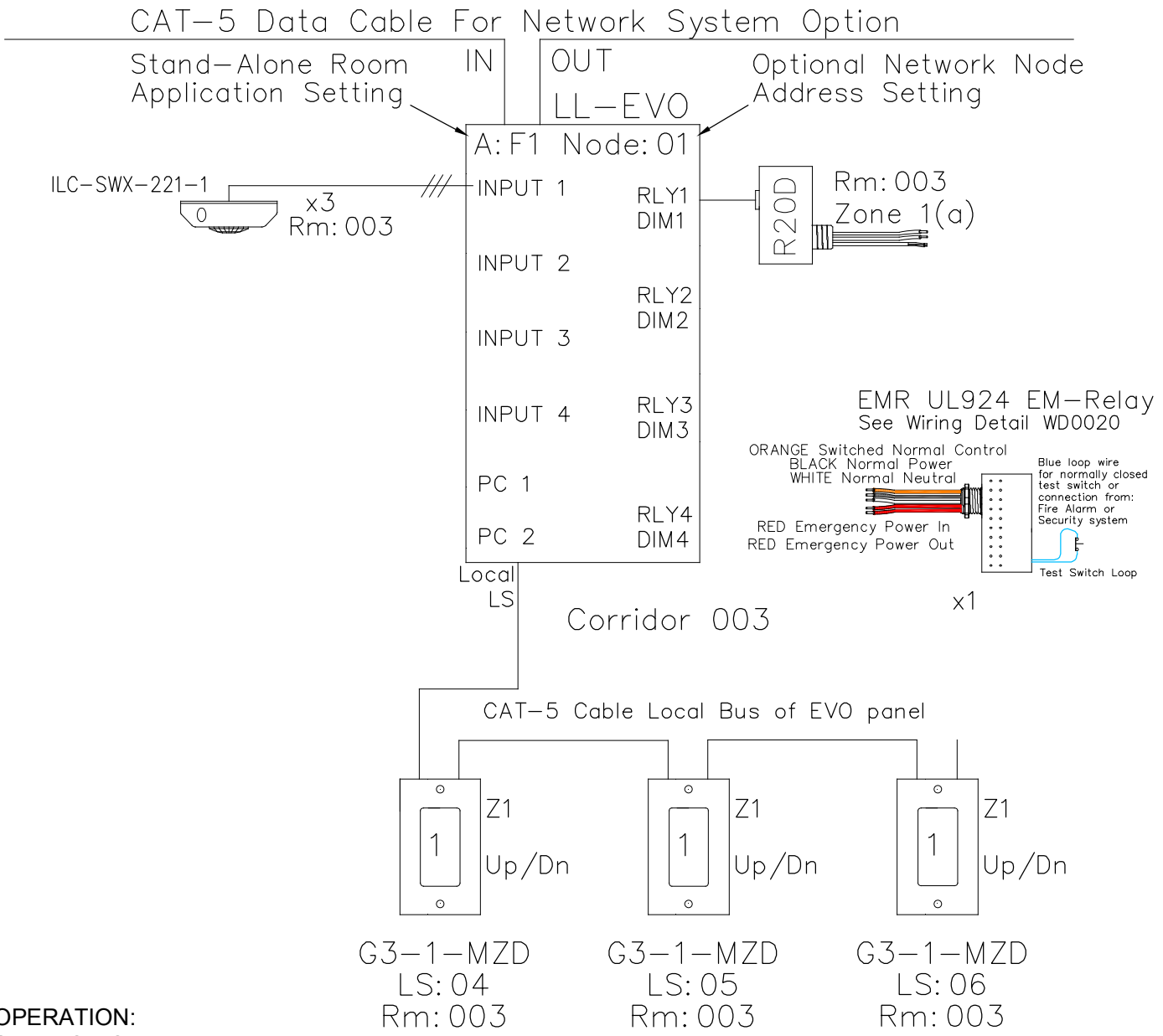


CORRIDOR CA TITLE 24 2016 DESIGN GUIDE RISER DIAGRAM



OPERATION:
 Switch ON/OFF
 On Level set for 100% dimming
 Motion sensor set for Occupancy
 On at -100% / Un-Occupied at - 50%
 Photocell can be added to limits max level
 in daylight zones, If Windows or Skylights
 are present.

5229 Edina Industrial Blvd.
 Minneapolis, MN 55439
 952.842.2564 | 800.922.8004
 ilc-usa.com

XX				Project:
NUMBER	REVISIONS	DATE	SHEET INFORMATION	
A	Code Riser CR0003	5-6-19	DATE:	5-6-19
1	-	-	SCALE:	NONE
			DRAWN BY:	JM

Title:

CORRIDOR CA TITLE 24 2016 RISER

GO#	Sheet:
219xxxx	CR0003