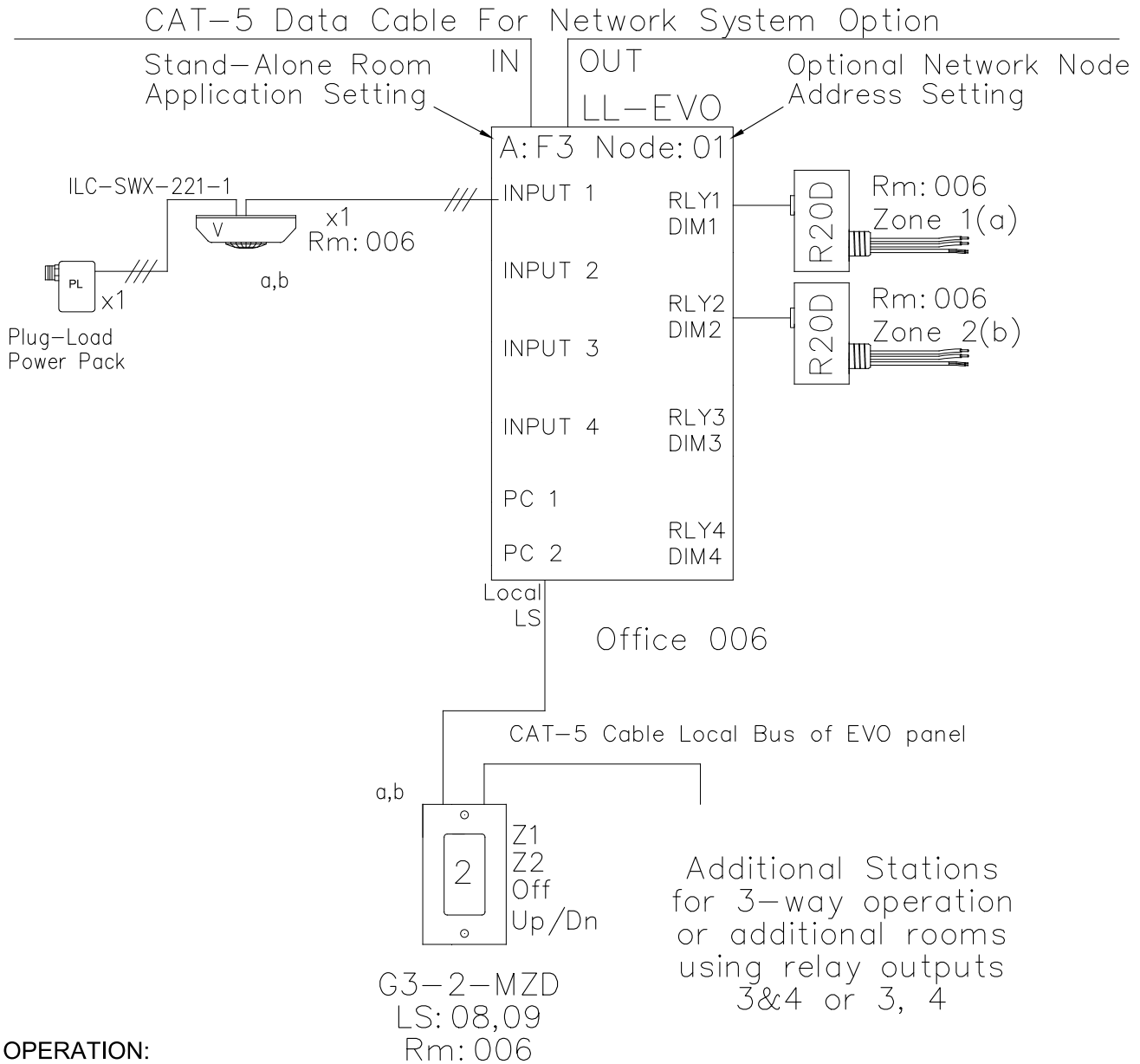


PRIVATE OFFICE CA TITLE 24 2019 DESIGN GUIDE <250sf OR IF THE LOAD IS <120W RISER DIAGRAM



OPERATION:
 Switch ON/OFF
 On Level set for 50% dimming
 Motion sensor set for Vacancy
 Photocell limits max level in daylight zones
 Plug-load relay for 120V outlets operated by motion sensor on/off.



5229 Edina Industrial Blvd.
 Minneapolis, MN 55439
 952.829.1900 | ilc-usa.com

XX				Project:	PRIVAE OFFICE Title: 2-ZONE CA TITLE 24 2019 RISER
NUMBER	REVISIONS	DATE	SHEET INFORMATION		
A	Code Riser CR0006	5-6-19	DATE:	5-6-19	
C	Rev C Update	4-27-20	SCALE:	NONE	
			DRAWN BY:	JM	

GO#	Sheet:
219xxxx	CR0006