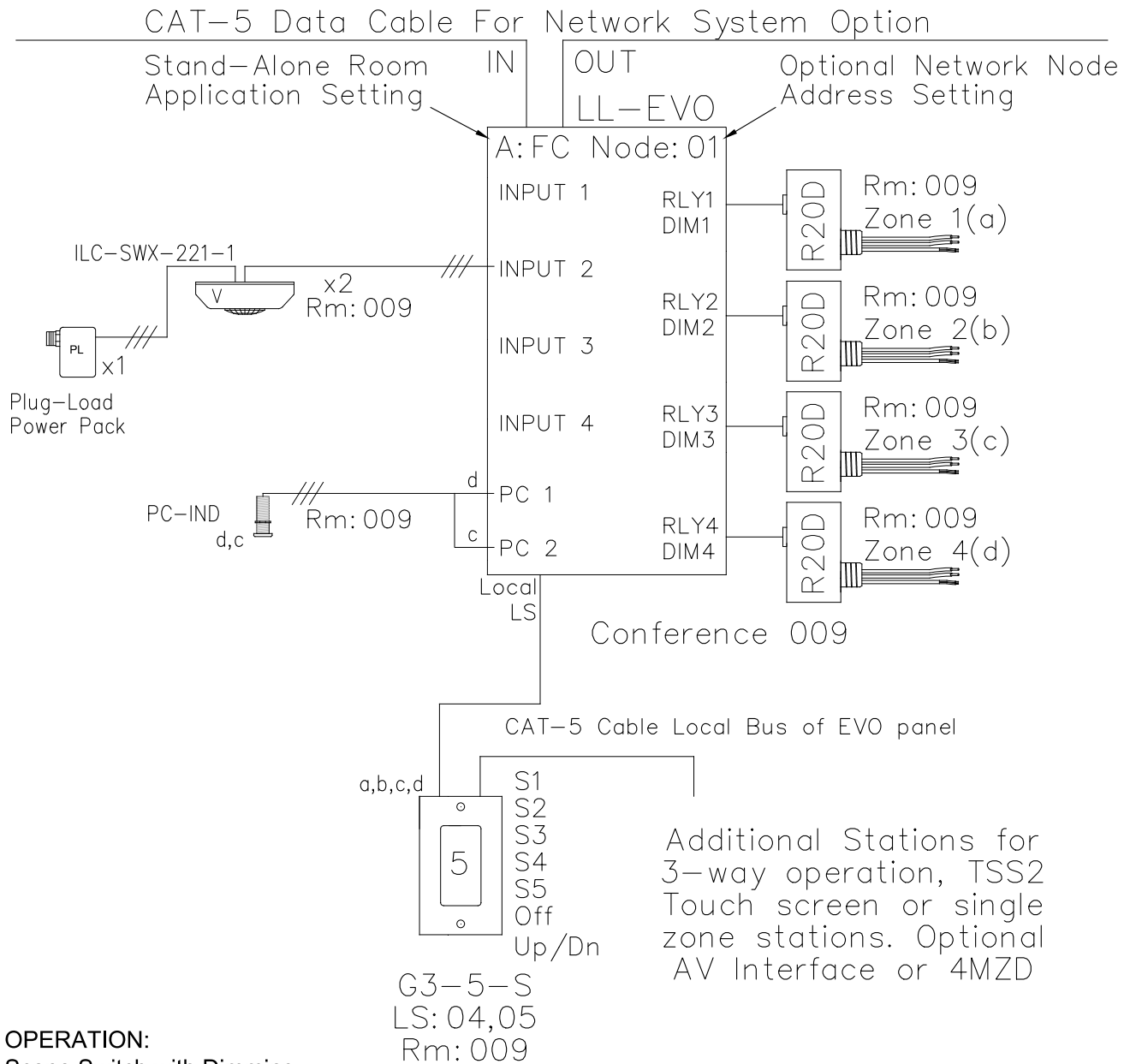


# CONFERENCE ROOM CA TITLE 24 2019 DESIGN GUIDE RISER DIAGRAM



**OPERATION:**  
 Scene Switch with Dimming  
 Optional TSS2 station  
 Motion sensor set for Vacancy  
 Photocell limits max level in daylight zones

5229 Edina Industrial Blvd.  
 Minneapolis, MN 55439  
 952.829.1900 | ilc-usa.com

XX				Project:
NUMBER	REVISIONS	DATE	SHEET INFORMATION	
A	Code Riser CR0009	5-6-19	DATE:	5-6-19
C	Rev C Update	4-27-20	SCALE:	NONE
			DRAWN BY:	JM

Title:  
**CONFERENCE ROOM  
 CA TITLE 24 2019  
 RISER**

GO# <b>219xxxx</b>	Sheet: <b>CR0009</b>
-----------------------	-------------------------