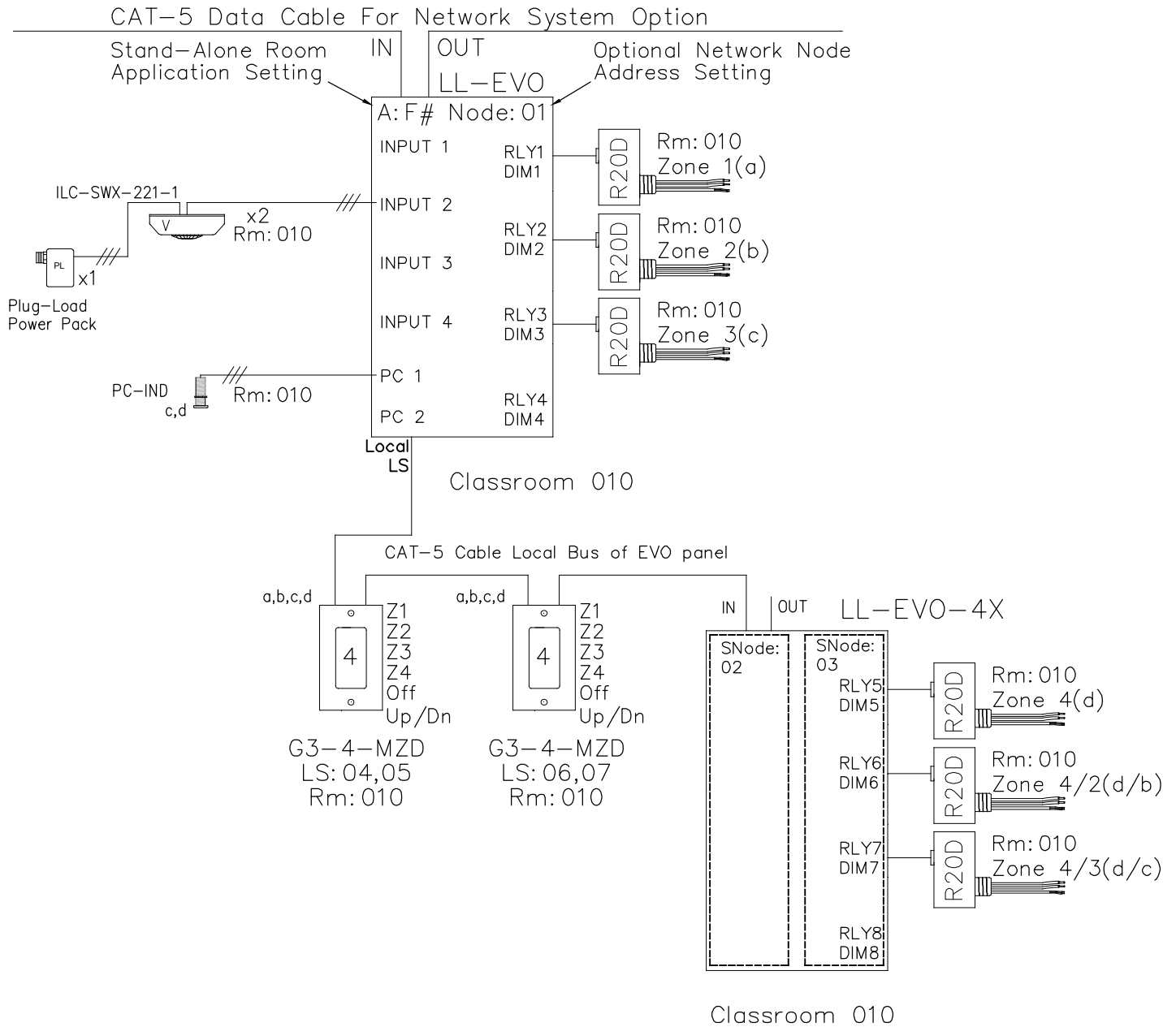


CLASSROOM CA TITLE 24 2016 DESIGN GUIDE 4/6 ZONE RISER DIAGRAM



OPERATION:
 Switch ON/OFF
 On Level set for 50% dimming
 Motion sensor set for Vacancy
 Photocell limits max level in daylight zones
 Plug-load relay for 120V outlets operated by motion sensor on/off.

intelligent
lighting controls

5229 Edina Industrial Blvd.
 Minneapolis, MN 55439
 952.842.2564 | 800.922.8004
 ilc-usa.com

XX				Project:
NUMBER	REVISIONS	DATE	SHEET INFORMATION	
A	Code Riser CR0010	5-6-19	DATE:	5-6-19
1	-	-	SCALE:	NONE
			DRAWN BY:	JM

CLASSROOM CA TITLE 24 2016 4/6 Zone RISER		Title:
GO#	Sheet:	
219xxxx	CR0010	