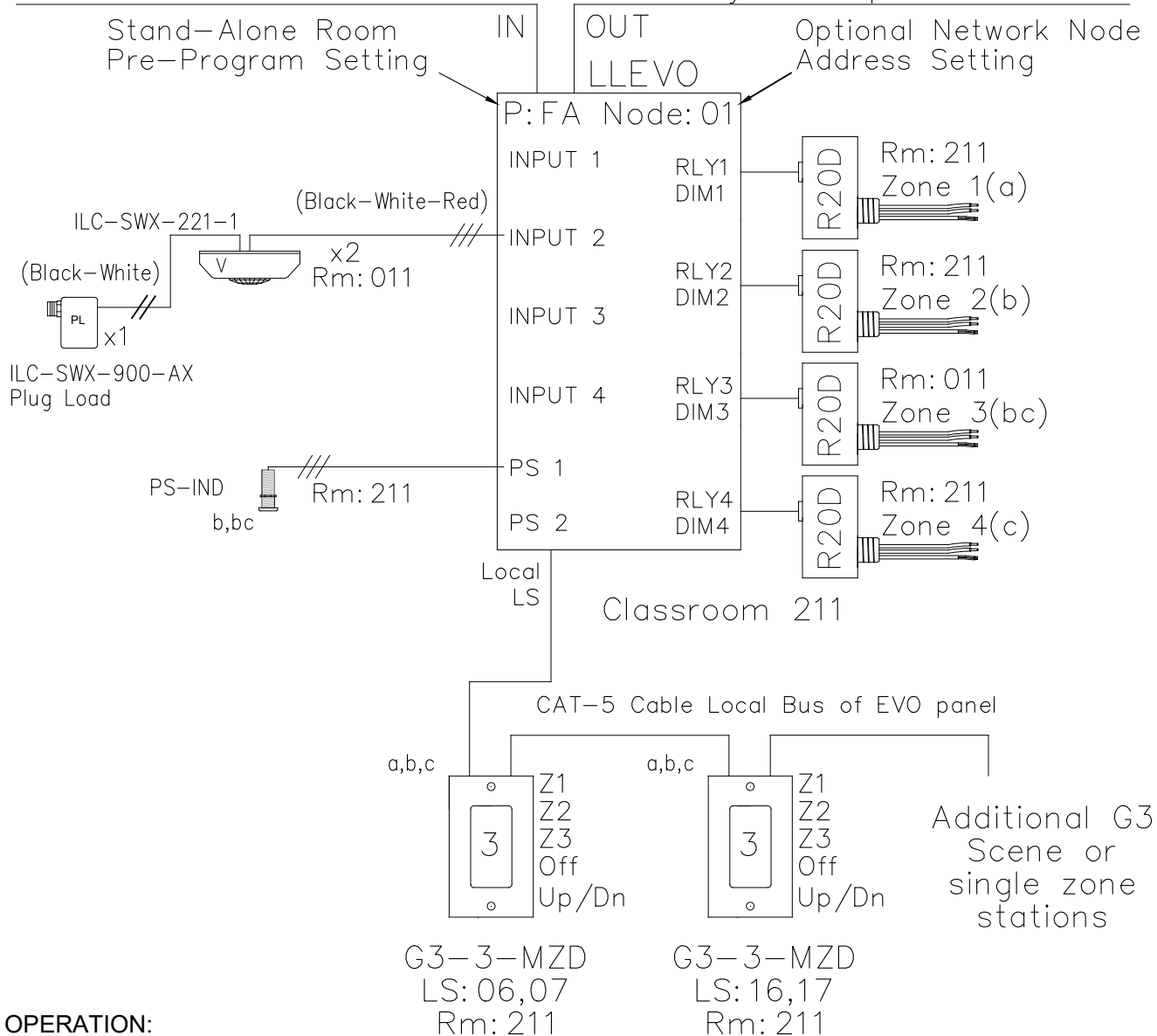


CLASSROOM ASHRAE DESIGN GUIDE 90.1 - 2010 RISER DIAGRAM

CAT-5 Data Cable For Network System Option



OPERATION:
 Switch On/Off with dimming
 Motion sensor set for Vacancy
 Photocell limits max level in daylight zones
 Area "bc" is a overlap from window zone
 "b" into whiteboard zone "c"
 Pre-Program FA



5229 Edina Industrial Blvd.
 Minneapolis, MN 55439
 952.829.1900 | ilc-usa.com

XX				Project:
NUMBER	REVISIONS	DATE	SHEET INFORMATION	
E	Pre-Program	1-3-22	DATE: 1-3-22	
			SCALE: NONE	
			DRAWN BY: JM	

CLASSROOM Title:
 ASHRAE 90.1
 3/4 Zone RISER

GO# Sheet:
 222xxxxx CR0211-4