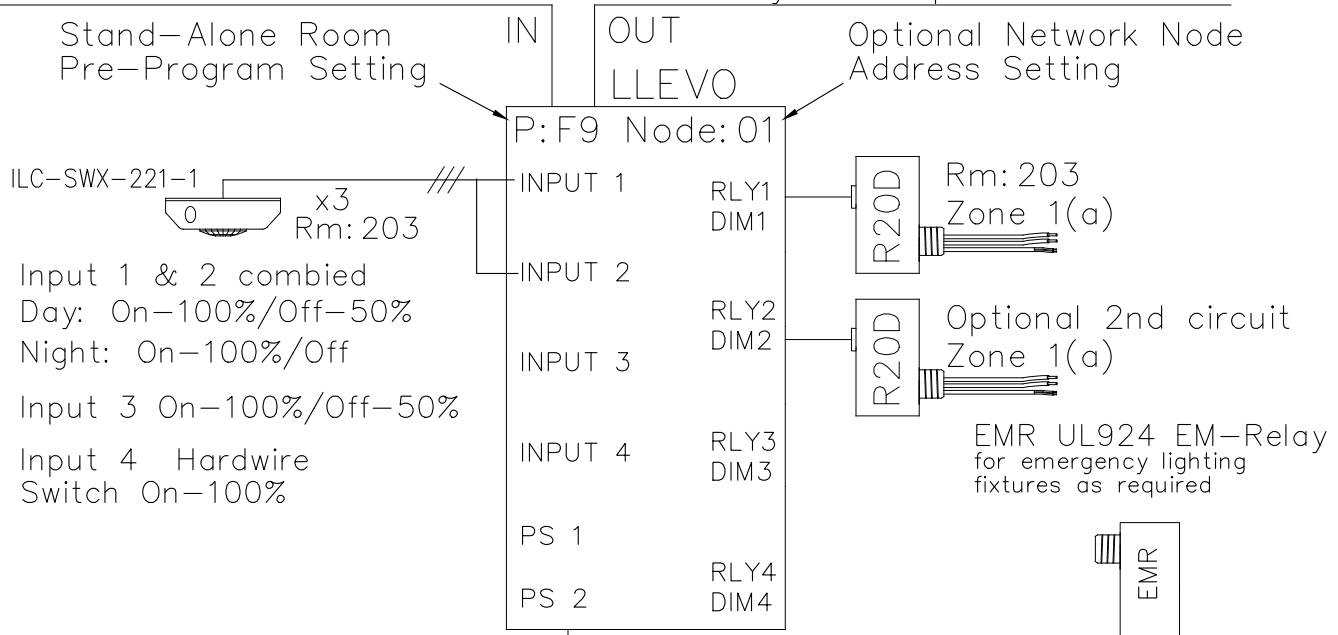


CORRIDOR ASHRAE DESIGN GUIDE 90.1 - 2013 RISER DIAGRAM

CAT-5 Data Cable For Network System Option

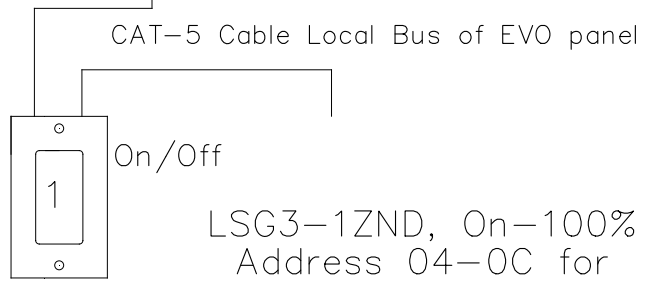


Input 1 & 2 combined
Day: On-100%/Off-50%
Night: On-100%/Off

Input 3 On-100%/Off-50%

Input 4 Hardwire Switch On-100%

Local LS Corridor 203



G3-1
LS: 04
Rm: 203

LSG3-1ZND, On-100%
Address 04-0C for multiple locations.
Optional LS-KS-MOM Key switch station.

OPERATION:
On Level set for 100% dimming
Off level set for 50% dimming
Motion sensor set for Occupancy
On at -100% / Un-Occupied - 50%
Night: On-100% / Off

Photocell can be added to limits max level in daylight zones using relay output 2, If Windows or Skylights are present .
Pre-Program F9

5229 Edina Industrial Blvd.
Minneapolis, MN 55439
952.829.1900 | ilc-usa.com

XX				Project:
NUMBER	REVISIONS	DATE	SHEET INFORMATION	
E	Pre-Program	1-3-22	DATE:	1-3-22
			SCALE: NONE	
			DRAWN BY: JM	

CORRIDOR ASHRAE 90.1 RISER		Title:
GO#	Sheet:	
222xxxxx	CR0203	