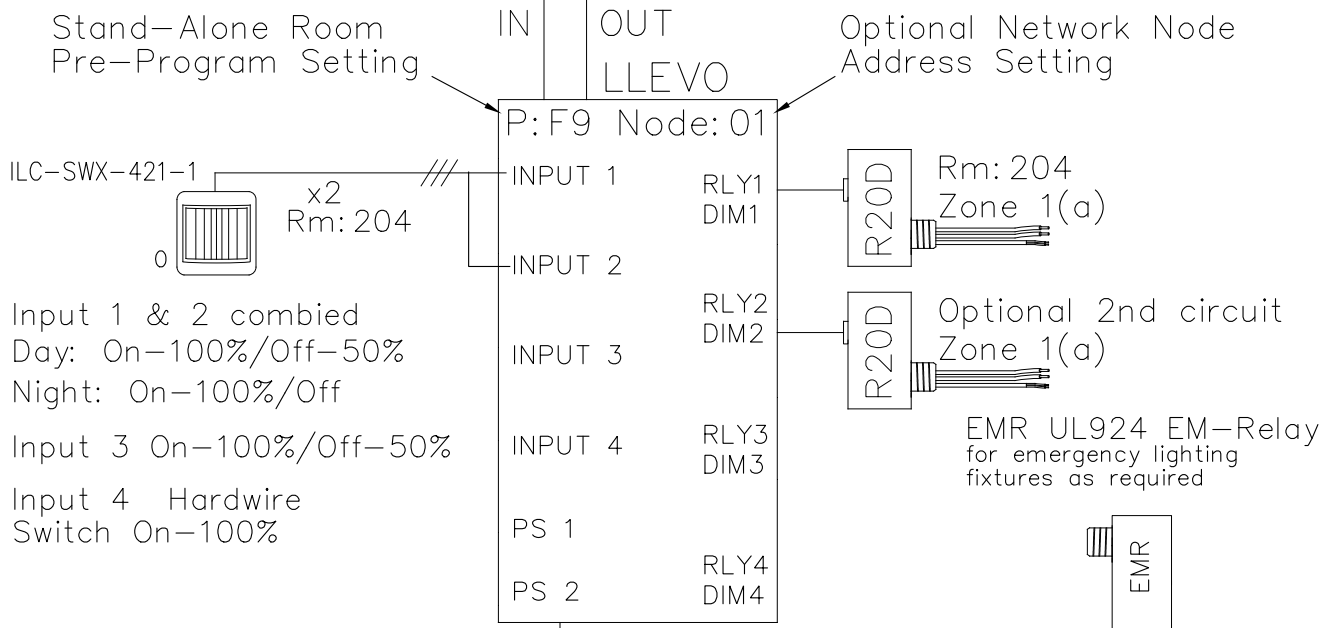


STAIRWELL ASHRAE DESIGN GUIDE 90.1 - 2013 RISER DIAGRAM

CAT-5 Data Cable For Network System Option



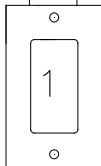
ILC-SWX-421-1
x2
Rm: 204

Input 1 & 2 combined
Day: On-100%/Off-50%
Night: On-100%/Off
Input 3 On-100%/Off-50%
Input 4 Hardwire
Switch On-100%

Stairwell 204

Local
LS

CAT-5 Cable Local Bus of EVO panel



LSG3-1ZND, On-100%
Address 04-0C for
multiple locations.
Optional LS-KS-MOM
Key switch station.

G3-1
LS: 04
Rm: 204

OPERATION:

- On Level set for 100% dimming
- Off level set for 50% dimming
- Motion sensor set for Occupancy
- On at -100% / Un-Occupied - 50%
- Night: On-100% / Off

Photocell can be added to limits max level
in daylight zones using relay output 2, If
Windows or Skylights are present .
Pre-Program F9



5229 Edina Industrial Blvd.
Minneapolis, MN 55439
952.829.1900 | ilc-usa.com

XX				Project:
NUMBER	REVISIONS	DATE	SHEET INFORMATION	
E	Pre-Program	1-3-22	DATE:	1-3-22
			SCALE: NONE	
			DRAWN BY: JM	

STAIRWELL ASHRAE 90.1 RISER		Title:
GO#	Sheet:	
222xxxxx	CR0204	