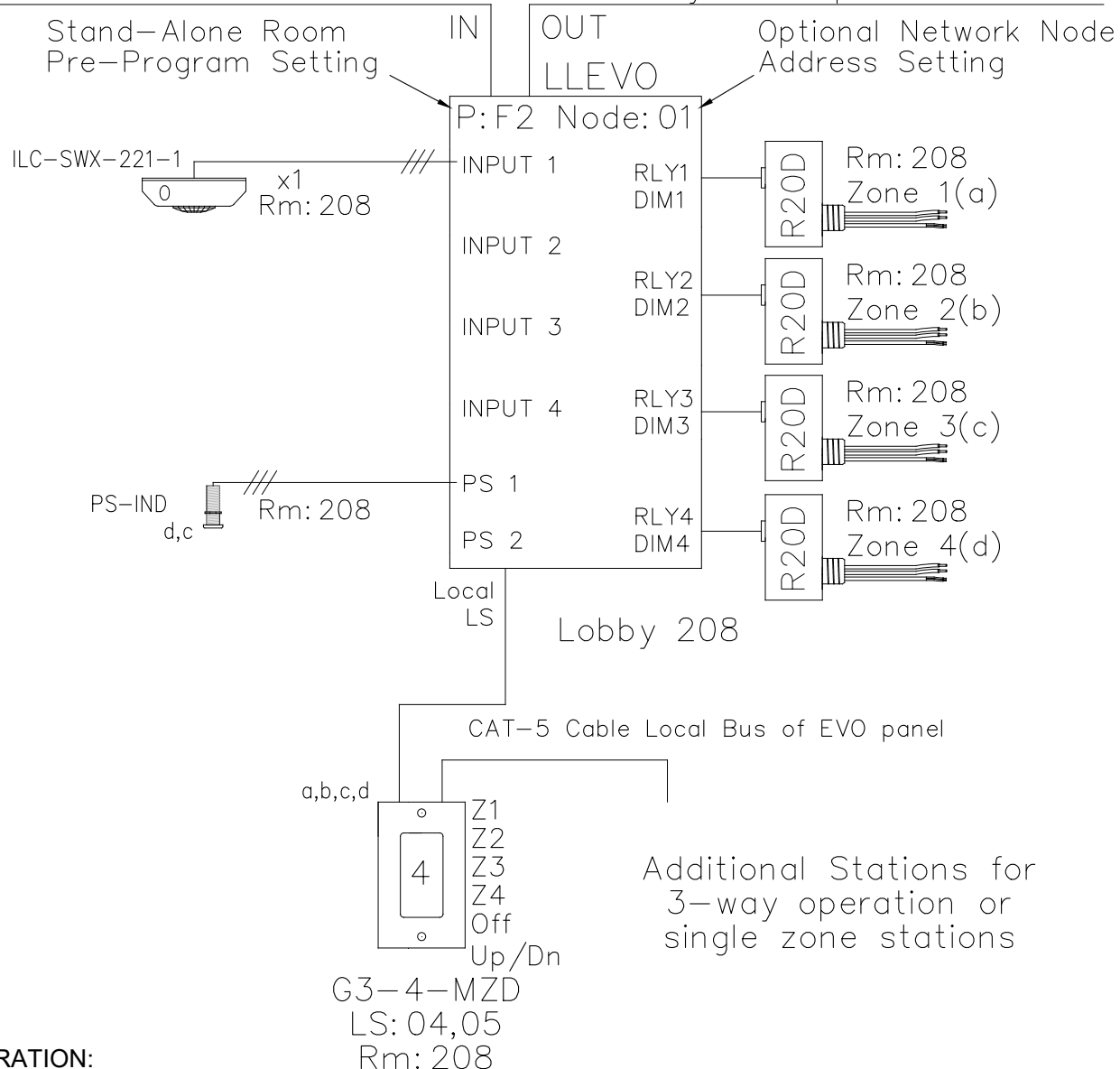


LOBBY

ASHRAE DESIGN GUIDE 90.1 - 2013

RISER DIAGRAM

CAT-5 Data Cable For Network System Option



OPERATION:
 Switch 3 MZD, OFF, Dimming
 Motion Sensor set for Occupancy (In 1)
 optional Vacancy Off only (In 2) or
 Occ-On level at 50% dimming (In 3).
 Photocell limits max level in daylight zones
 Pre-Program F2

intelligent
lighting controls

5229 Edina Industrial Blvd.
 Minneapolis, MN 55439
 952.829.1900 | ilc-usa.com

XX				Project:	Title:
NUMBER	REVISIONS	DATE	SHEET INFORMATION		
E	Pre-Program	1-3-22	DATE:	1-3-22	
			SCALE:	NONE	
			DRAWN BY:	JM	

LOBBY
ASHRAE 90.1
RISER

GO#	Sheet:
222xxxxx	CR0208