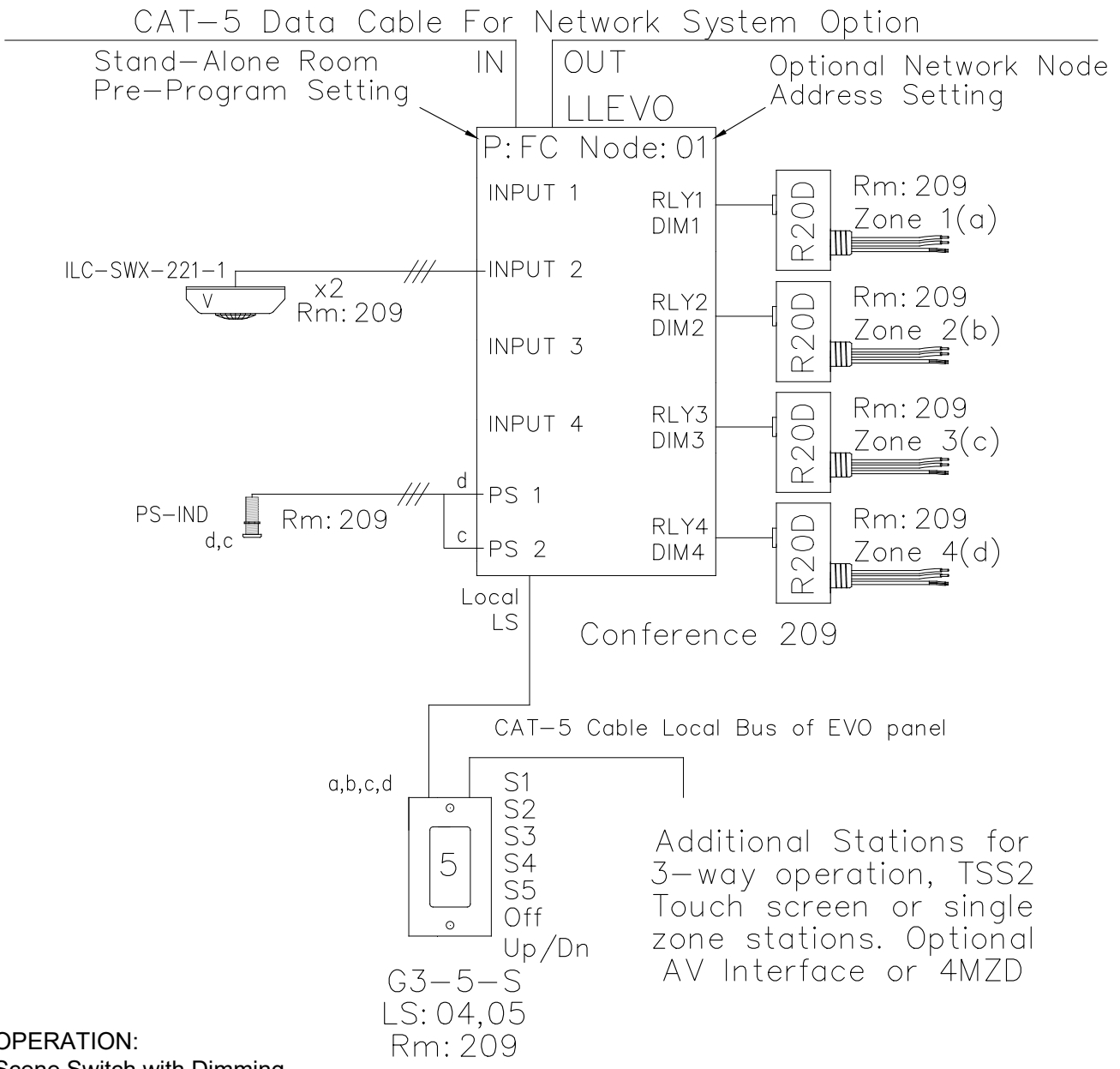


# CONFERENCE ROOM ASHRAE DESIGN GUIDE 90.1 - 2013 RISER DIAGRAM



**OPERATION:**  
 Scene Switch with Dimming  
 Optional TSS2 station  
 Motion sensor set for Vacancy  
 Photocell limits max level in daylight zones  
 Pre-Program FC

5229 Edina Industrial Blvd.  
 Minneapolis, MN 55439  
 952.829.1900 | ilc-usa.com

XX				Project:
NUMBER	REVISIONS	DATE	SHEET INFORMATION	
E	Pre-Program	1-3-22	DATE:	1-3-22
			SCALE:	NONE
			DRAWN BY:	JM

Title:

## CONFERENCE ROOM ASHRAE 90.1 RISER

GO#	Sheet:
222xxxxx	CR0209