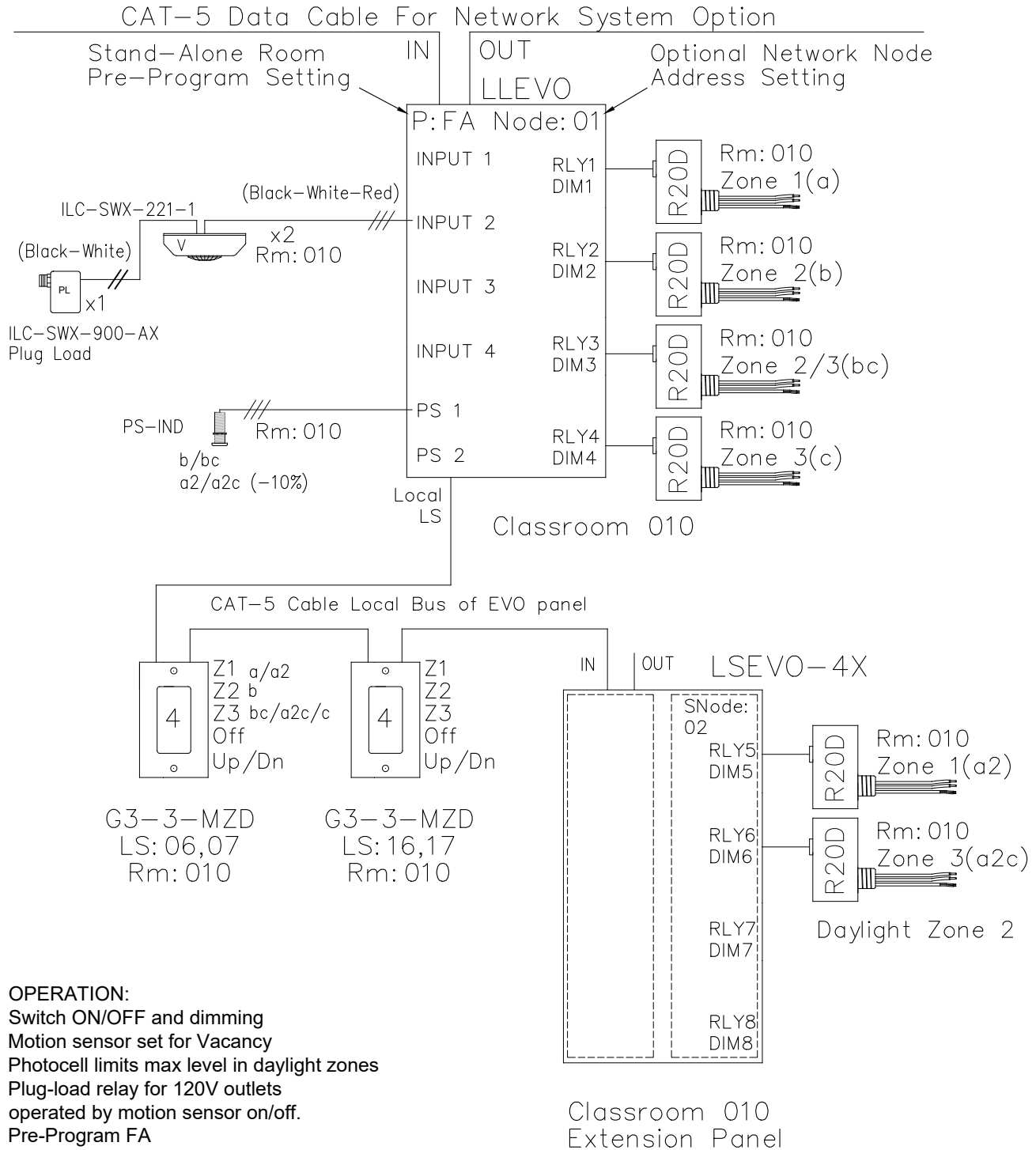


CLASSROOM ASHRAE DESIGN GUIDE 90.1 - 2013 RISER DIAGRAM



5229 Edina Industrial Blvd.
Minneapolis, MN 55439
952.829.1900 | ilc-usa.com

XX				Project:	CLASSROOM ASHRAE 90.1 4/6 Zone RISER	Title:
NUMBER	REVISIONS	DATE	SHEET INFORMATION			
E	Pre-Program	1-3-22	DATE: 1-3-22			
			SCALE: NONE			
			DRAWN BY: JM			
			GO#	Sheet:		
			222xxxxx	CR0211		