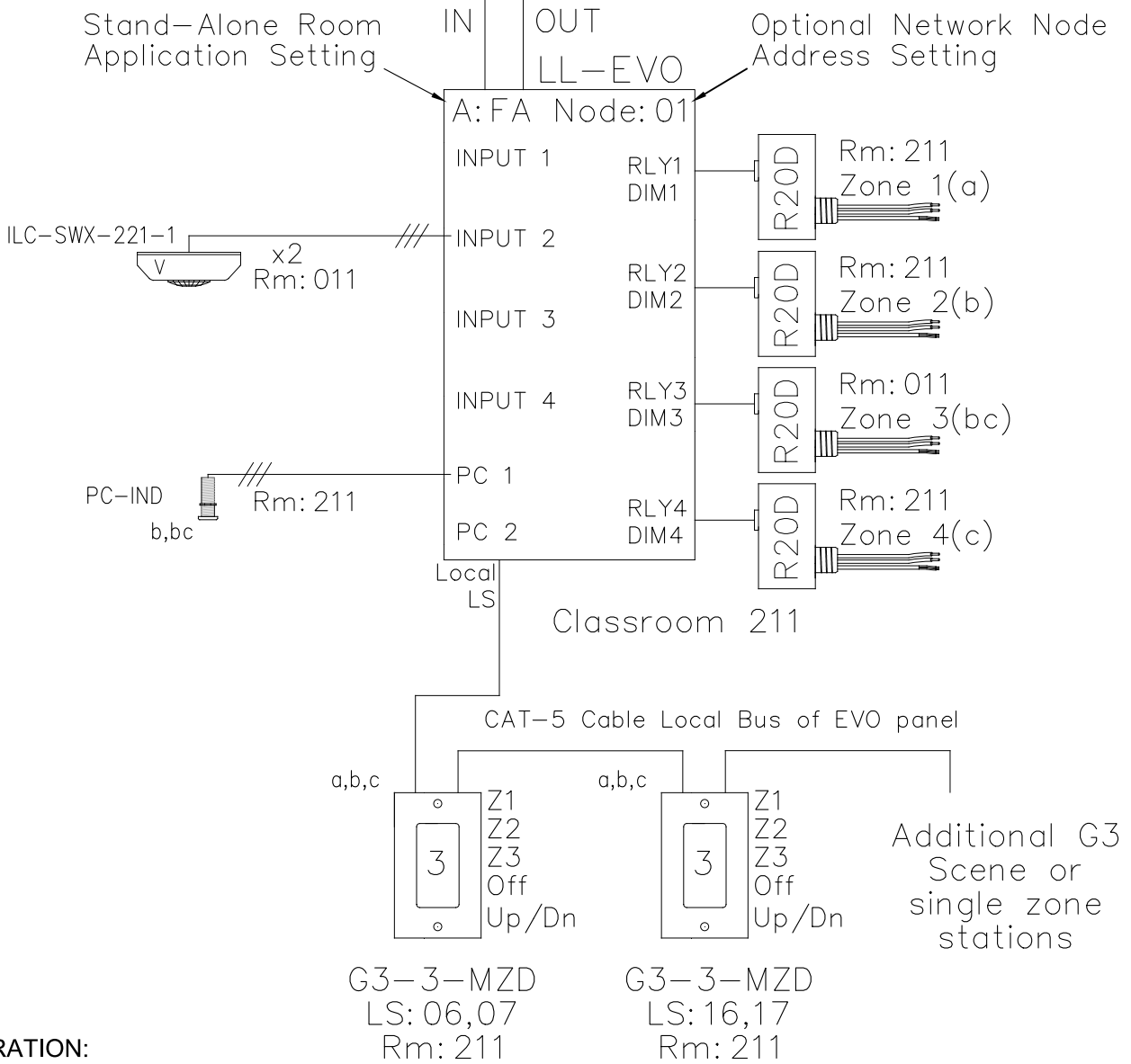


CLASSROOM ASHRAE DESIGN GUIDE 90.1 - 2010 RISER DIAGRAM

CAT-5 Data Cable For Network System Option



OPERATION:
 Switch On/Off with dimming
 Motion sensor set for Vacancy
 Photocell limits max level in daylight zones
 Area "bc" is a overlap from window zone
 "b" into whiteboard zone "c"

5229 Edina Industrial Blvd.
 Minneapolis, MN 55439
 952.829.1900 | ilc-usa.com

XX				Project:
NUMBER	REVISIONS	DATE	SHEET INFORMATION	
A	Code Riser CR0211	5-6-19	DATE:	5-6-19
B	Rev B Update	4-27-20	SCALE:	NONE
			DRAWN BY:	JM

CLASSROOM		Title:
ASHRAE 90.1		
3/4 Zone RISER		
GO#	Sheet:	
219xxxx	CR0211	