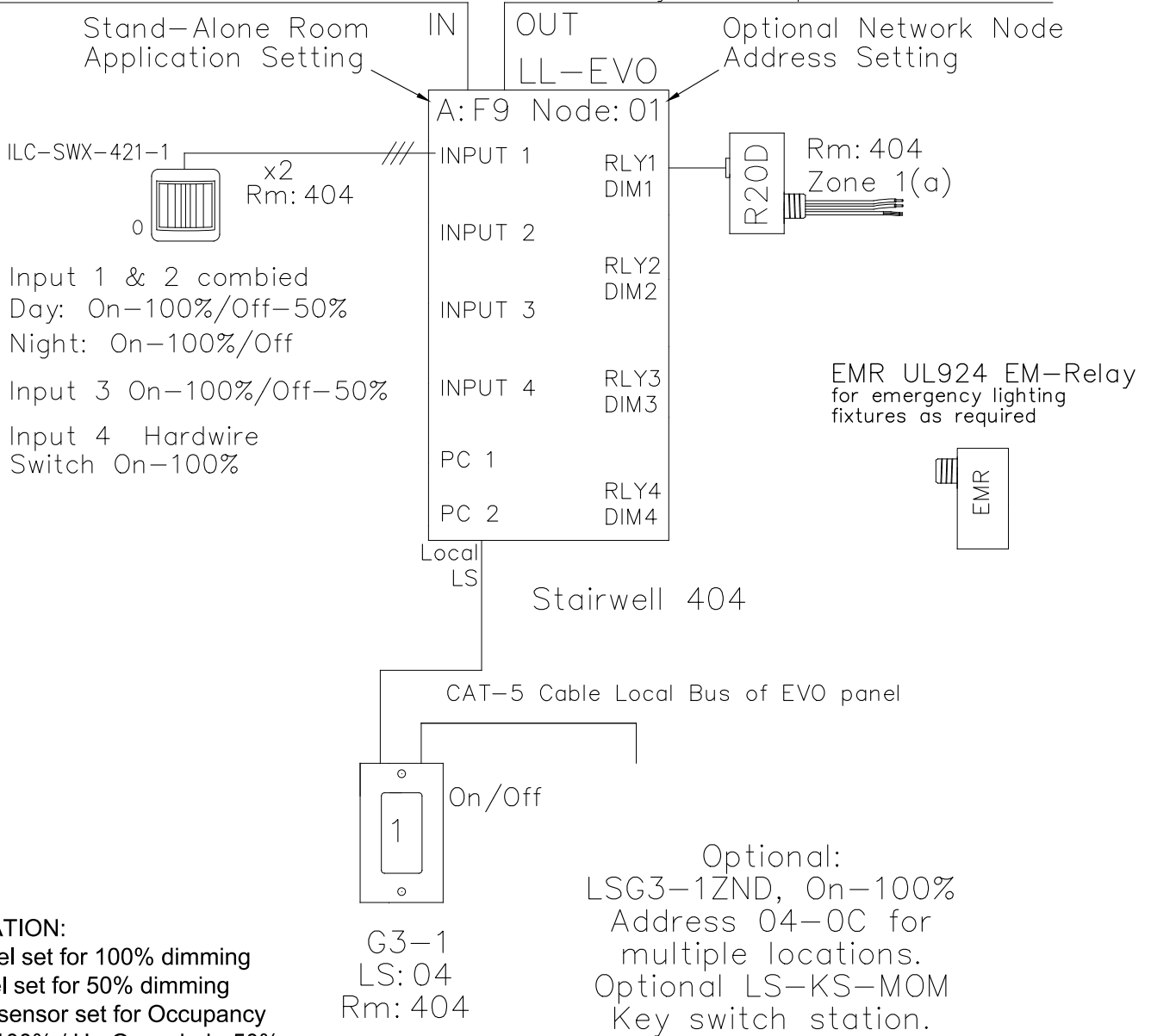


# STAIRWELL IECC 2015 DESIGN GUIDE RISER DIAGRAM

CAT-5 Data Cable For Network System Option



Input 1 & 2 combined  
Day: On-100%/Off-50%  
Night: On-100%/Off

Input 3 On-100%/Off-50%

Input 4 Hardwire  
Switch On-100%

**OPERATION:**  
On Level set for 100% dimming  
Off level set for 50% dimming  
Motion sensor set for Occupancy  
On at -100% / Un-Occupied - 50%  
Night: On-100% / Off

Photocell can be added to limits max level in daylight zones using relay output 2, If Windows or Skylights are present .



5229 Edina Industrial Blvd.  
Minneapolis, MN 55439  
952.829.1900 | ilc-usa.com

XX				Project:
NUMBER	REVISIONS	DATE	SHEET INFORMATION	
A	Code Riser CR0404	5-6-19	DATE:	5-6-19
C	Rev C Update	4-27-20	SCALE:	NONE
			DRAWN BY:	JM

**STAIRWELL  
IECC 2015  
RISER**

Title:

GO#      Sheet:  
**219xxxx      CR0404**