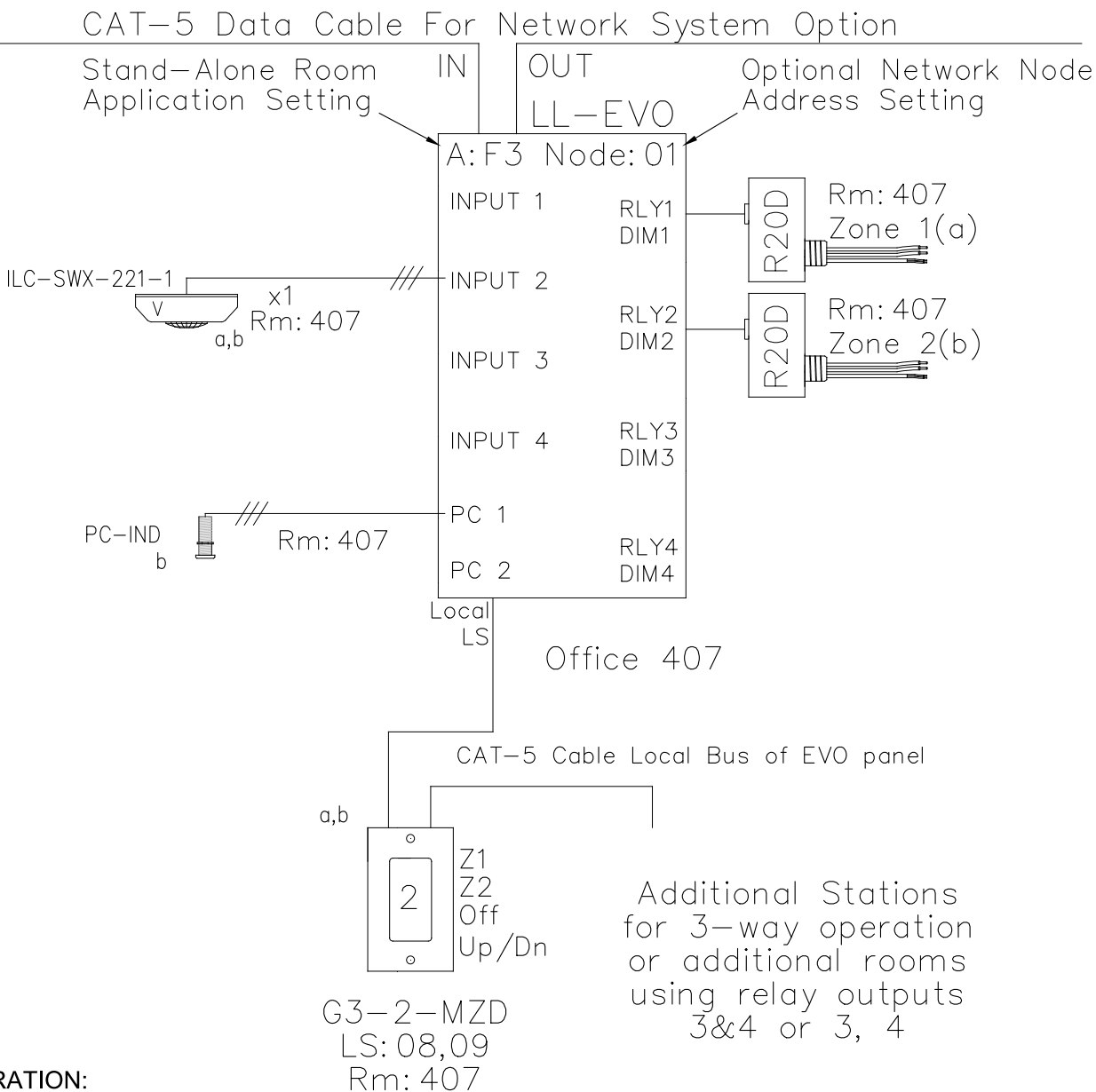


# PRIVATE OFFICE WITH WINDOW IECC 2015 DESIGN GUIDE RISER DIAGRAM



**OPERATION:**  
 Switch set for On/Off per zone with Dimming  
 Motion sensor set for Vacancy  
 Photocell limits max level in daylight zones



5229 Edina Industrial Blvd.  
 Minneapolis, MN 55439  
 952.829.1900 | ilc-usa.com

XX				Project:	PRIVAE OFFICE WITH WINDOW IECC 2015 RISER	Title:
NUMBER	REVISIONS	DATE	SHEET INFORMATION			
A	Code Riser CR0407	5-6-19	DATE:	5-6-19		
C	Rev C Update	4-27-20	SCALE:	NONE		
			DRAWN BY:	JM		

219xxxx	Sheet: CR0407
---------	------------------