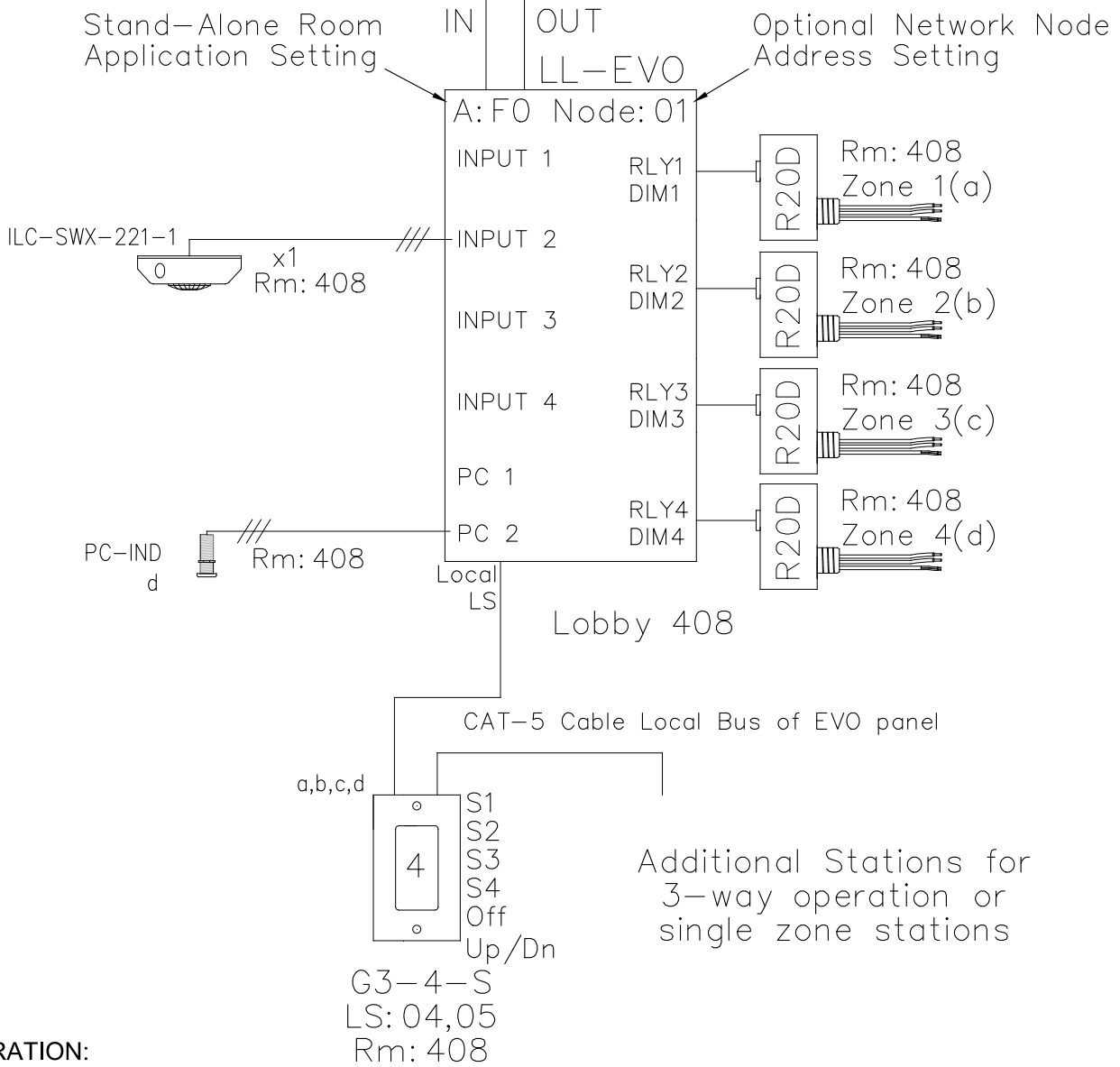


LOBBY IECC 2015 DESIGN GUIDE RISER DIAGRAM

CAT-5 Data Cable For Network System Option



OPERATION:
 Scene switch, off, dimming
 Motion sensor set for Occupancy On/Off
 Photocell limits max level in daylight zone



5229 Edina Industrial Blvd.
 Minneapolis, MN 55439
 952.829.1900 | ilc-usa.com

XX				Project:	Title:
NUMBER	REVISIONS	DATE	SHEET INFORMATION		
A	Code Riser CR0408	5-6-19	DATE:	5-6-19	
C	Rev C Update	4-27-20	SCALE:	NONE	
			DRAWN BY:	JM	

LOBBY IECC 2015 RISER		GO#	Sheet:
		219xxxx	CR0408