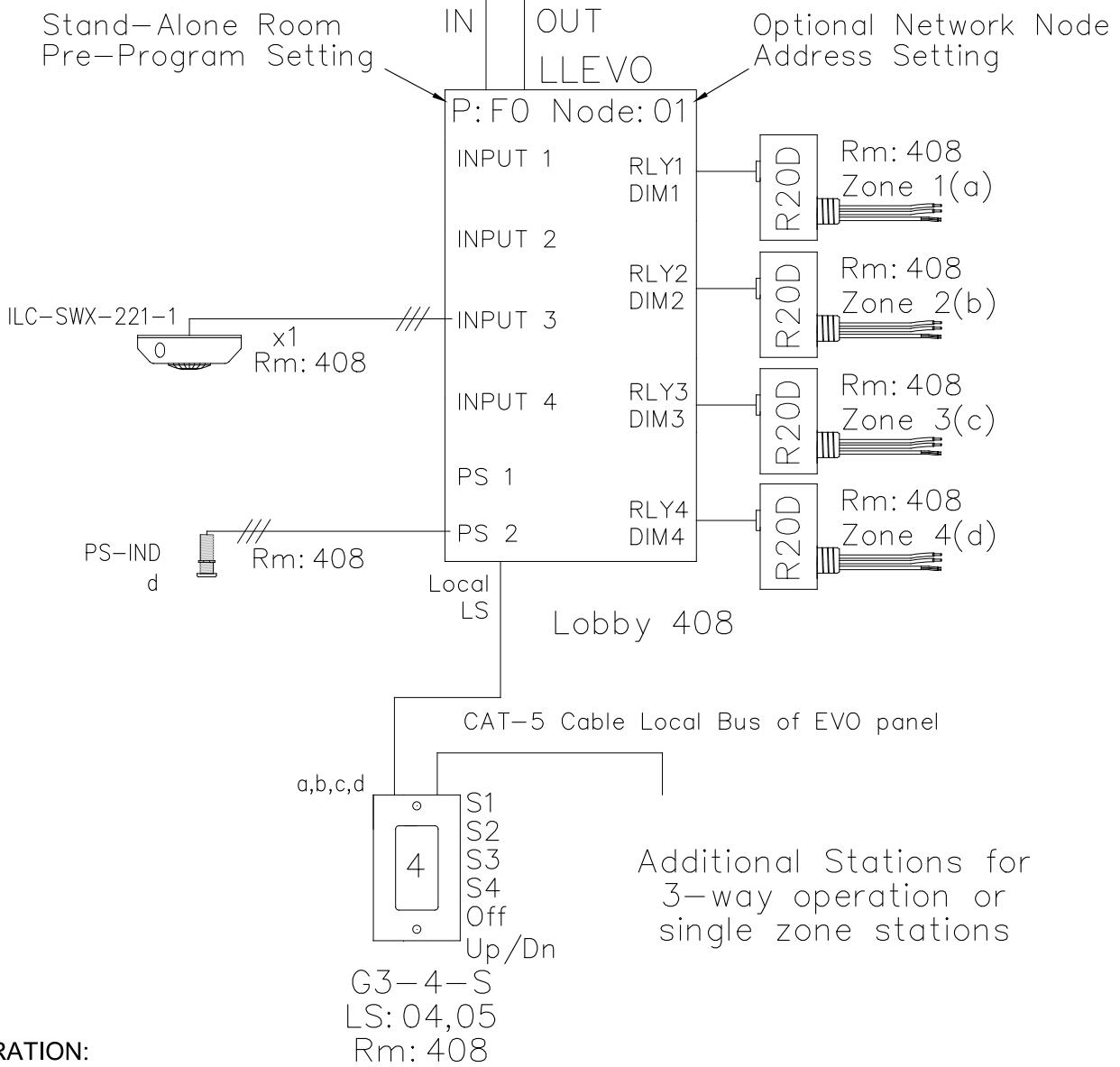


LOBBY IECC 2021 DESIGN GUIDE RISER DIAGRAM

CAT-5 Data Cable For Network System Option



OPERATION:
 Scene switch, off, dimming
 Motion sensor set for Occupancy On/Off
 Photocell limits max level in daylight zone
 Pre-Program F0



5229 Edina Industrial Blvd.
 Minneapolis, MN 55439
 952.829.1900 | ilc-usa.com

XX				Project:	Title:
NUMBER	REVISIONS	DATE	SHEET INFORMATION		
F	IACC 2021	3-15-23	DATE:	3-15-23	
			SCALE:	NONE	
			DRAWN BY:	JM	

LOBBY IECC 2021 RISER		GO#	Sheet:
		222xxxxx	CR0408