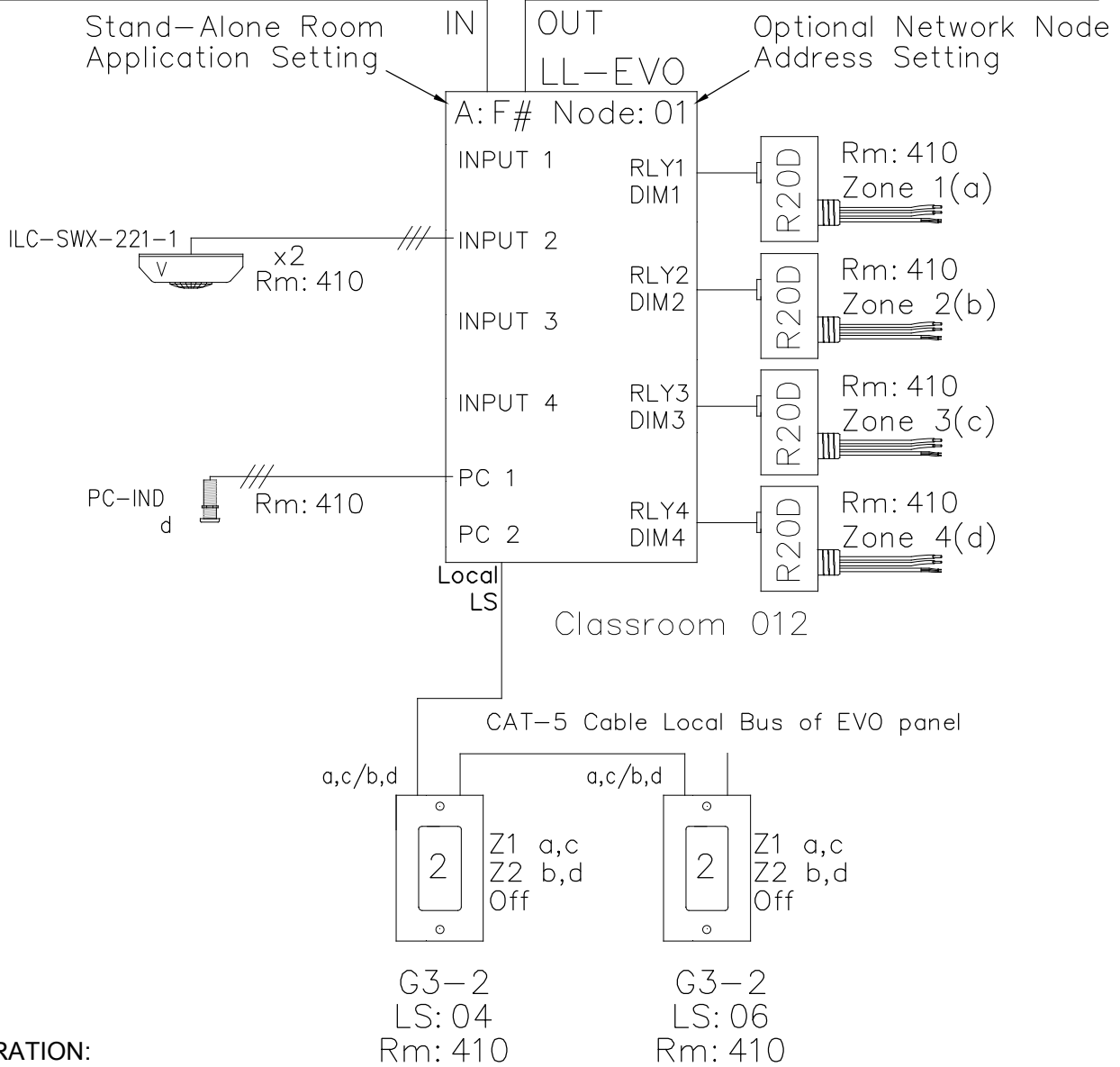


# CLASSROOM ON/OFF - A/B SWITCHING WITH DAYLIGHT IECC 2015 DESIGN GUIDE RISER DIAGRAM

CAT-5 Data Cable For Network System Option



**OPERATION:**  
 Switch ON/OFF  
 A/B level switching 0% / 50% / 100%  
 Motion sensor set for Vacancy  
 Photocell limits max level in daylight zones



5229 Edina Industrial Blvd.  
 Minneapolis, MN 55439  
 952.842.2564 | 800.922.8004  
 ilc-usa.com

XX				Project:
NUMBER	REVISIONS	DATE	SHEET INFORMATION	
A	Code Riser CR0410	5-6-19	DATE:	5-6-19
1	-	-	SCALE:	NONE
			DRAWN BY:	JM

CLASSROOM		Title:
ON/OFF A/B SWITCHING		
IECC 2015 RISER		
GO#	Sheet:	
219xxxx	CR0410	