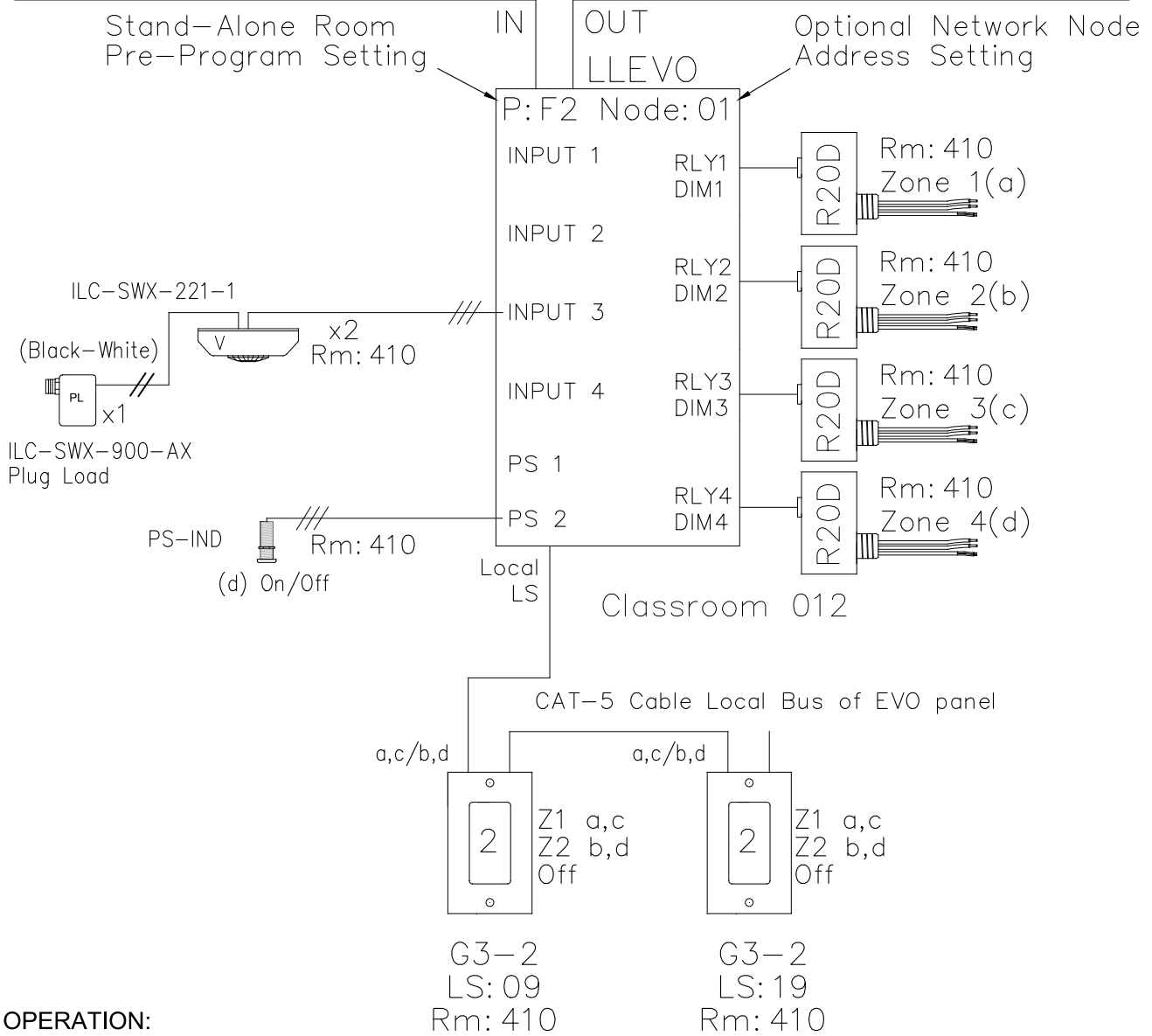


CLASSROOM ON/OFF - A/B SWITCHING WITH DAYLIGHT IECC 2021 DESIGN GUIDE RISER DIAGRAM

CAT-5 Data Cable For Network System Option



OPERATION:
 Switch ON/OFF
 A/B level switching 0% / 50% / 100%
 Motion sensor On/Off
 Photocell limits max level in daylight zone
 Pre-Program F2



5229 Edina Industrial Blvd.
 Minneapolis, MN 55439
 952.829.1900 | ilc-usa.com

XX				Project:	CLASSROOM ON/OFF A/B SWITCHING IECC 2021 RISER	Title:
NUMBER	REVISIONS	DATE	SHEET INFORMATION			
F	IACC 2021	3-15-23	DATE:	3-15-23		
			SCALE: NONE			
			DRAWN BY:	JM		

GO# 222xxxxx	Sheet: CR0410
------------------------	-------------------------