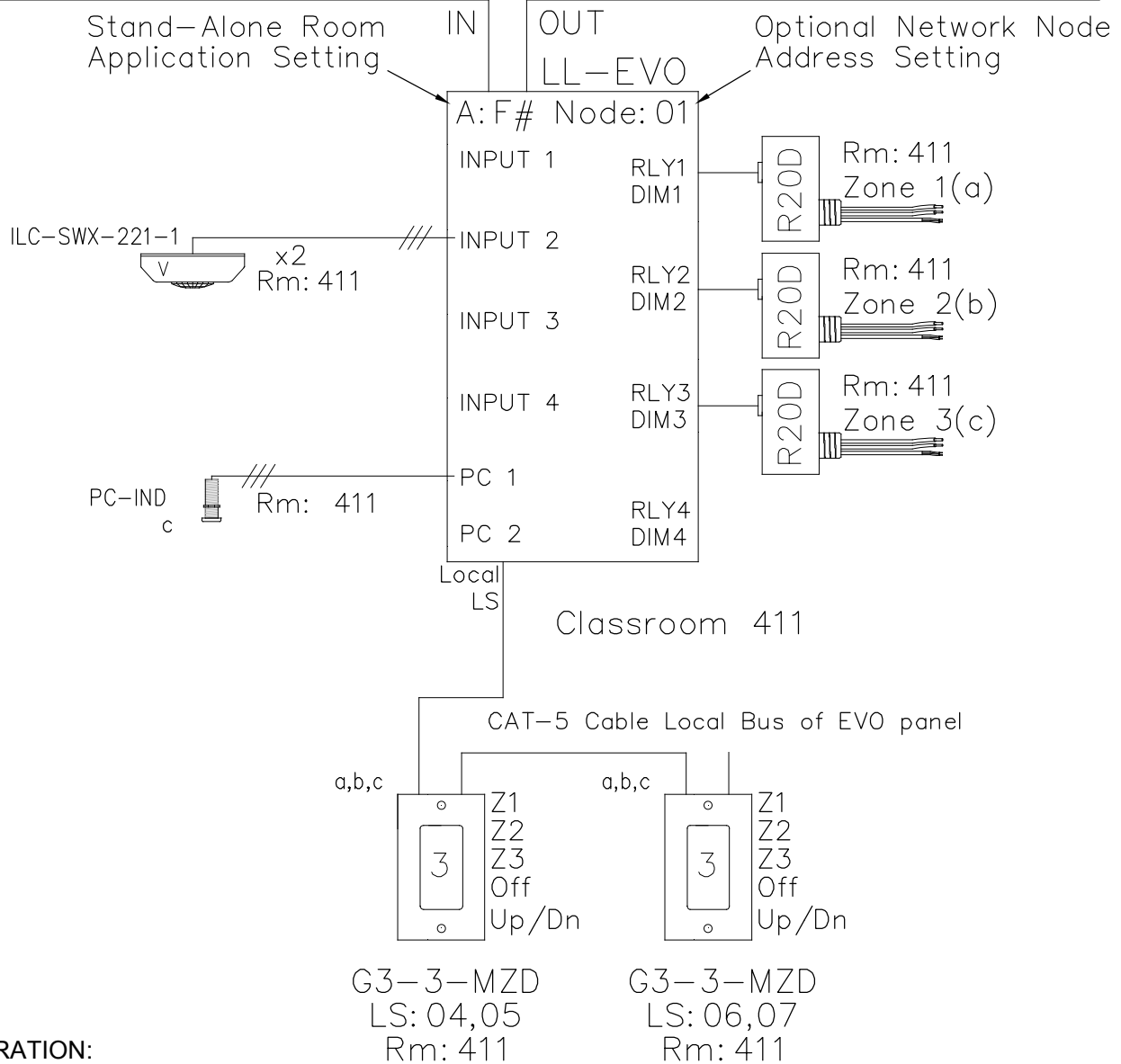


CLASSROOM 0-10V DIMMING IECC 2015 DESIGN GUIDE RISER DIAGRAM

CAT-5 Data Cable For Network System Option



OPERATION:
 Switch ON/OFF
 On Level set for 50% dimming
 Motion sensor set for Vacancy
 Photocell limits max level in daylight zones



5229 Edina Industrial Blvd.
 Minneapolis, MN 55439
 952.842.2564 | 800.922.8004
 ilc-usa.com

XX				Project:	CLASSROOM 0-10V DIMMING IECC 2015 RISER	Title:
NUMBER	REVISIONS	DATE	SHEET INFORMATION			
A	Code Riser CR0411	5-6-19	DATE:	5-6-19		
1	-	-	SCALE:	NONE		
			DRAWN BY:	JM		

GO#	Sheet:
219xxxx	CR0411