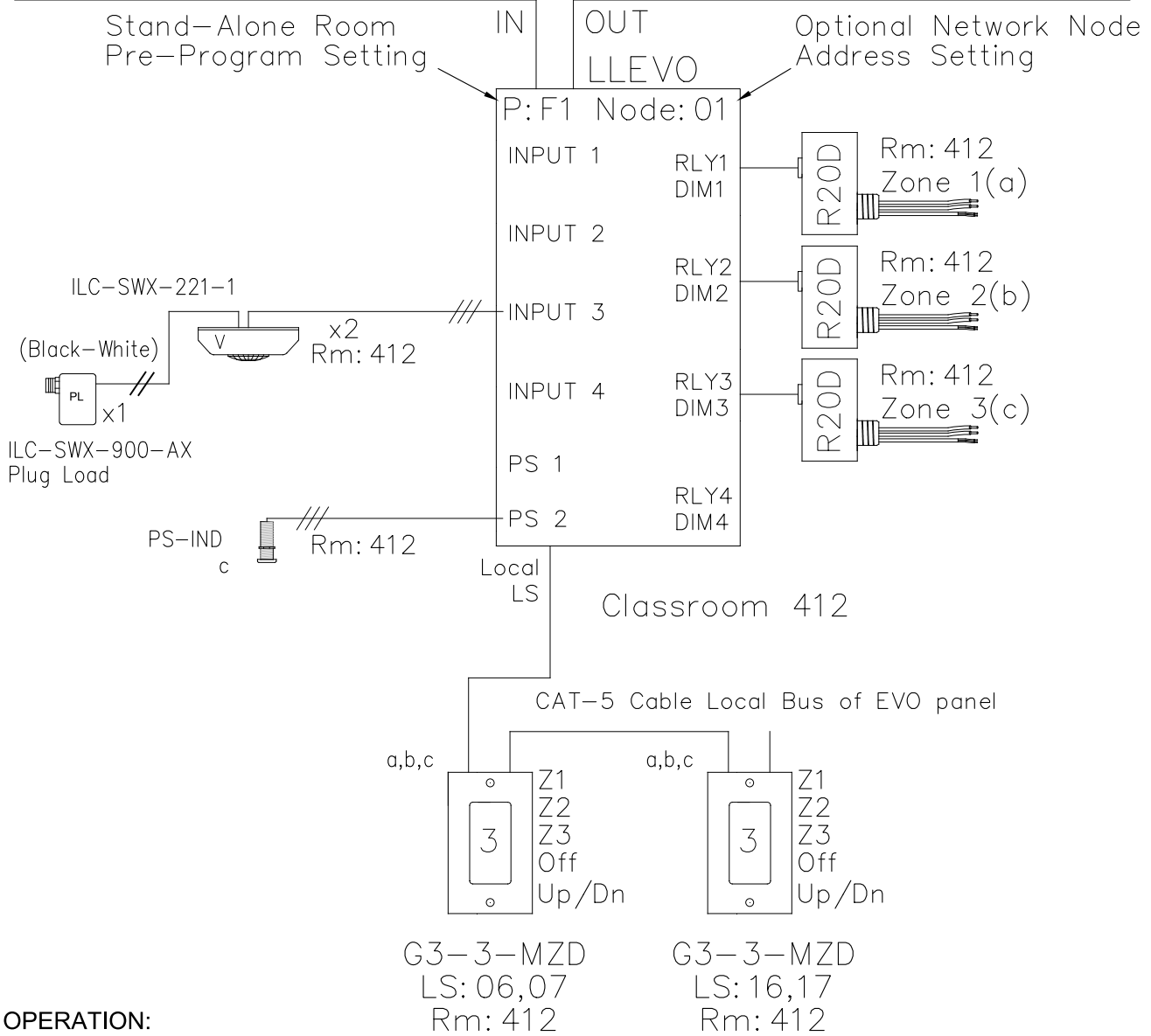


# OPEN OFFICE IECC 2021 DESIGN GUIDE RISER DIAGRAM

CAT-5 Data Cable For Network System Option



**OPERATION:**  
 Switch ON/OFF and dimming  
 Motion sensor On-50% / Off  
 Photocell limits max level in daylight zone  
 Pre-Program F1



5229 Edina Industrial Blvd.  
 Minneapolis, MN 55439  
 952.829.1900 | ilc-usa.com

<b>XX</b>				Project:
NUMBER	REVISIONS	DATE	SHEET INFORMATION	
F	IACC 2021	3-15-23	DATE:	3-15-23
			SCALE:	NONE
			DRAWN BY:	JM

**OPEN OFFICE**  
**IECC 2021**  
**RISER**

Title:

GO#  
**222xxxxx**

Sheet:

**CR0412**