



- Provides a cost-effective convenient keypad
- May be used with multiple controllers
- Ideal for LM-4 applications where internal keypads are not provided
- Connector for quick, easy connection to controllers
- Compact lightweight design
- 4-line 20-character backlit display
- Easy to read and understand self prompting menu driven commands
- Edit or review all stored information



## Overview

The LightMaster-4 (LM-4) controller can be configured and programmed using the self-prompting on-screen menu of the LM-4 Handheld Keypad. This compact handheld keypad can be plugged directly into the LM-4 without powering down the panel. The keypad is equipped with a 4-line, 32 character LCD display, 4 selection and 2 scrolling buttons, connector and six feet of cable.

## Features

### Keypad

- LM-4 Handheld Keypads are supplied with a formed ABS plastic enclosure built to withstand the rigors of portable operation
- Provides programming and control with an on-screen menu
- Keypad color: Black case, grey keys
- Keypad button life expectancy: 3,000,000 operations per button
- Password protected to prevent unauthorized use

### Switch Identification

- All switch functions are clearly identified through a self-prompting, menu-driven command structure.

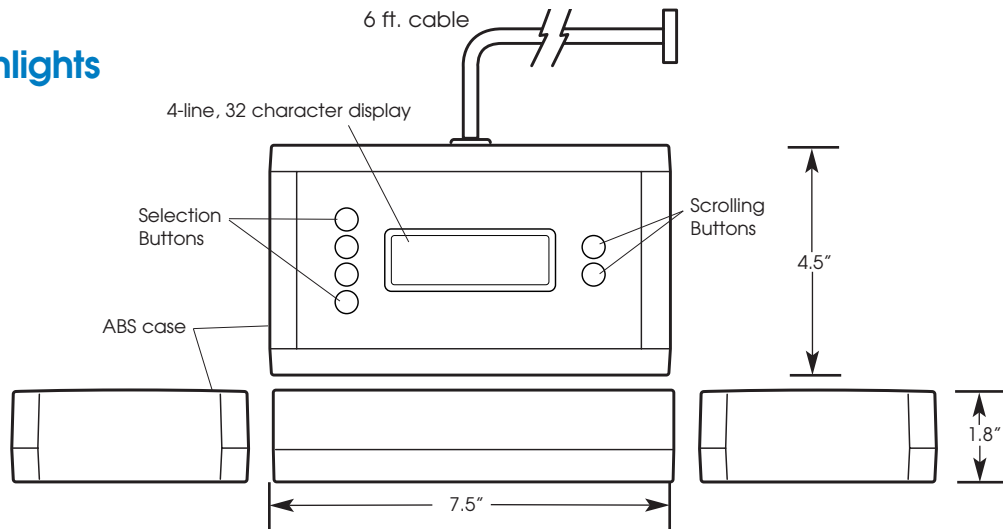


INTELLIGENT LIGHTING  
CONTROLS, INC.

5229 Edina Industrial Boulevard  
Minneapolis, Minnesota 55439  
Phone 952 829 1900  
FAX 952 829 1901  
1-800-922-8004  
www.ilc-usa.com



## Physical Highlights



## Specifications

### Physical:

- Portable hand-held unit
- 6 foot cable
- Material: ABS plastic

### Electrical:

- Connected to main controller via a push-on connector (supplied)
- No external power required

### Operating Environment:

- Location Interior space
- Operating Temperature 0° to 50° C
- Relative Humidity 10% to 90% Non-condensing
- Atmosphere Non-explosive, Non-corrosive
- Vibration Stationary application NEMA Level A

### Certifications:

- FCC approval for commercial and residential use

### How to Order

Ordering a **LM-4 Handheld Keypad**

Order No. LM-4HK (sample)

**LM-4HK**

INTELLIGENT LIGHTING  
CONTROLS, INC.

5229 Edina Industrial Boulevard  
Minneapolis, Minnesota 55439  
Phone 952 829 1900  
FAX 952 829 1901  
1-800-922-8004  
www.ilc-usa.com