

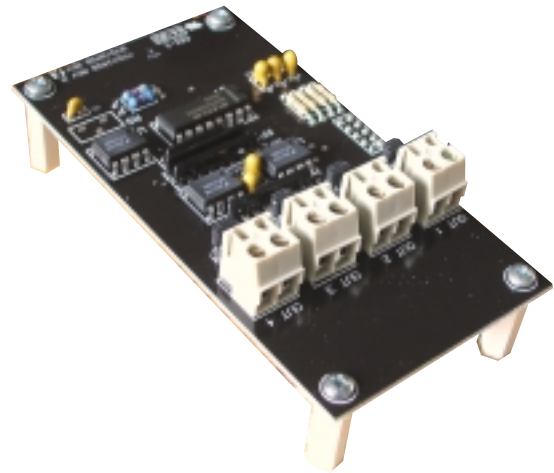


# LIGHT *Master* LM-4 Dimmer Output Module

Dimming Control

Controller Add-Ons

- Controls 0-10V dimmable ballasts or other 0-10V devices
- Used in LightMaster Extended Network
- Mounts directly into an LM-4 controller
- Provides four independent output channels
- Each channel is able to control up to 200 ballasts
- Able to track LightSync photocell lighting levels
- Responds to LightSync inputs, hardwired inputs and network timers



## Overview

With the addition of an LM-4 Dimmer output module, the LightMaster-4 (LM-4) controller supports the control of four independent analog 0-10 VDC outputs. These outputs are designed to control up to four zones of 0-10 VDC dimming ballasts. Each output can step 256 times between 0 and 10VDC. The module easily plugs into the expansion port provided on the LM-4.

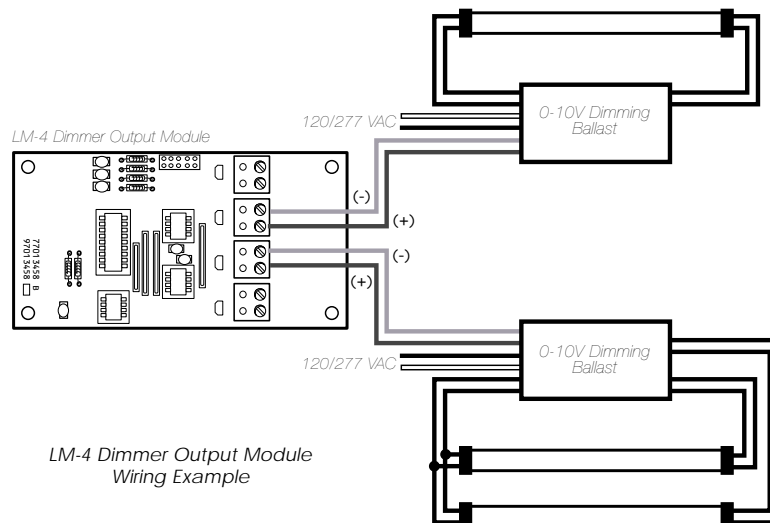
## Features

- Four independent channels give the flexibility to control up to four zones.
- Each output is capable of driving up to 200 typical dimming ballasts at .5mA each.
- Power-On level settings allow each output to be configured for 0 to 100% levels at the time of power-up.
- Each output may be programmed to track the light level of a LightSync photocell. This photocell controller may be connected to the LM-4 local connection or on the main data line.
- Each output may be programmed to respond up to eight inputs. Inputs include local or network hardwired inputs and local or networked LightSync devices. Each input can be programmed to force the output to a preset level or to raise or lower the level at 10% increments and will work in conjunction with a photocell (raising or lowering the level of the photocell). Inputs can be set to "Revert to photocell control" after a time that can range from 5 minutes to 4 hours in 5 minute increments.
- Each output may be programmed to respond one of the 48 network timers. This can be set to go to a preset level, raise level 10% or lower level 10%.

FOR USE IN  
**EN**  
LIGHTMASTER NETWORKS

INTELLIGENT LIGHTING  
CONTROLS, INC.

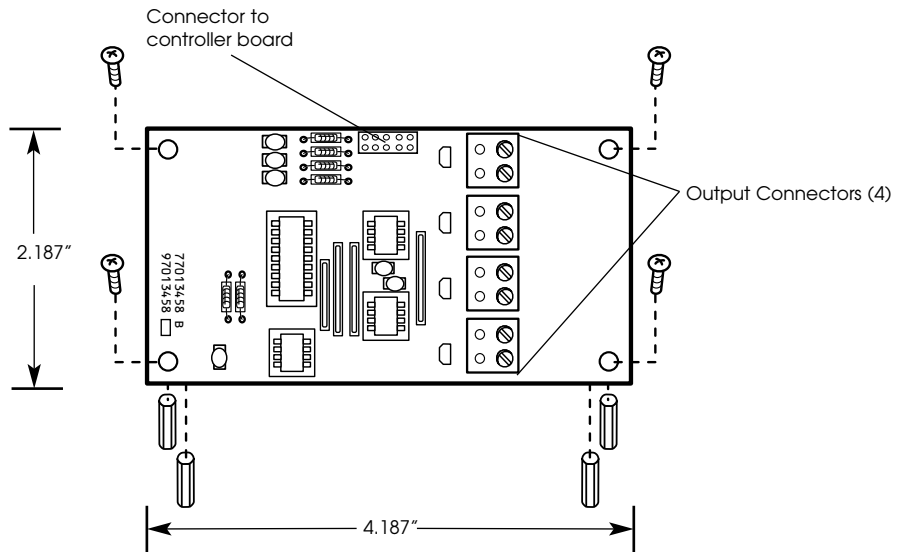
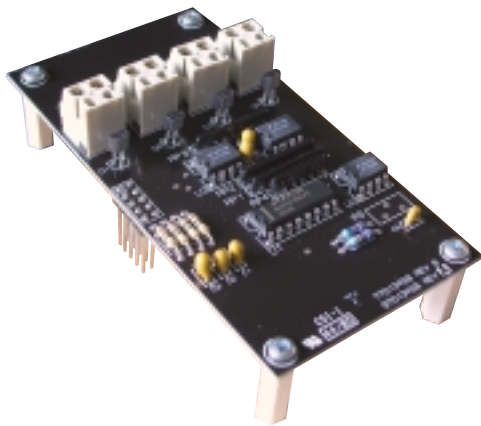
5229 Edina Industrial Boulevard  
Minneapolis, Minnesota 55439  
Phone 952 829 1900  
FAX 952 829 1901  
1-800-922-8004  
www.ilc-usa.com





# LIGHT *Master* LM-4 Dimmer Output Module

Dimming Control



## Specifications

### Physical:

- Plug-in module designed for mounting directly onto the LM-4 controller

### Operating Environment:

- Location Interior space
- Operating Temperature 0° to 50° C
- Relative Humidity 10% to 90% Non-condensing

### Electrical:

- 100mA per channel
- 0-10VDC

### Configuration:

- Software programming

### How to Order

Ordering a **LM-4 Dimmer Output Module**

Order No. LM4-DO (sample)

**LM4-DO**

INTELLIGENT LIGHTING  
CONTROLS, INC.

5229 Edina Industrial Boulevard  
Minneapolis, Minnesota 55439  
Phone 952 829 1900  
FAX 952 829 1901  
1-800-922-8004  
www.ilc-usa.com