

## Overview

The ILC Emergency Bypass Relay (EM20) is a UL 924 device providing automatic bypass operation for emergency powered lighting when normal power is lost to the relay. The EM20 bypass relay also has a normal power control input allowing the EM20 to switch the EM light to match normal lighting control saving energy by turning off the EM loads when not needed. During an emergency state it will ignore any local control until the normal power is restored. The EM20 is provided with a switch loop that can be used for a test switch or connection from a fire alarm or BAS system.



## Features

- **Made in the USA**
- **UL 924** rated
- **Rated for 20Amp @ 120/277VAC**
- **Normal control** follow operation
- **Switch loop** for test switch or fire alarm system
- **UL and CUL listed**
- **Plenum rated** assembly
- **Direct mounting** at power junction box or light fixture with 1/2" K.O.

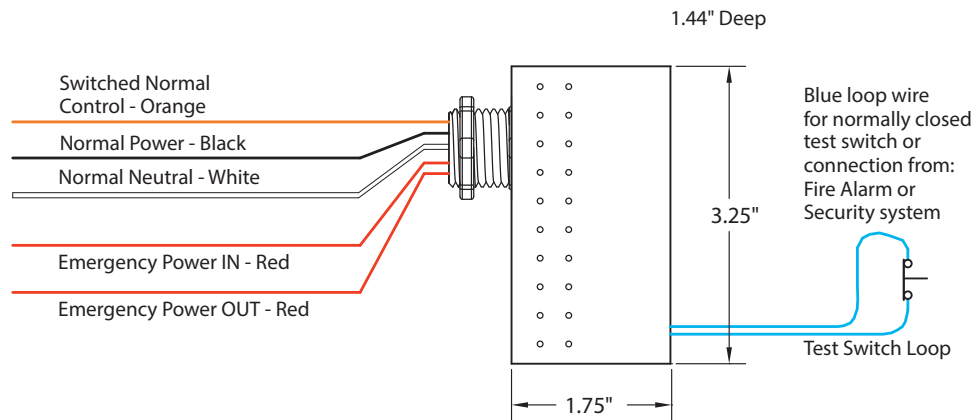
## Warranty

Six-year limited warranty

## Ordering

**Emergency Bypass Relay**  
**EM20**

## Physical



## Specifications

### Safeguards:

- Automatic revert to ON operation
- Test switch loop provided

### Physical:

- Dimensions 3.25" x 1.75" x 1.44"
- Plastic enclosure
- ½" nipple for mounting to electrical box
- 8" wire leads for connections provided
- Color coded leads for easy wiring
- Conduit nut provided

### Electrical:

#### Input:

- 120/277VAC
- 50/60Hz
- 0.25A

#### Output:

- 20A @120/277VAC

### Test Switch Loop:

- Dry contact closure (N.C.)

### Operating Environment:

- Location: Interior space
- Operating temp: 0° to 50° C
- Humidity: 10% to 90% Non-condensing
- Atmosphere: Non-explosive/corrosive
- Vibration: Stationary

### Certifications:

- UL 924
- FCC
- Plenum rated UL 2043