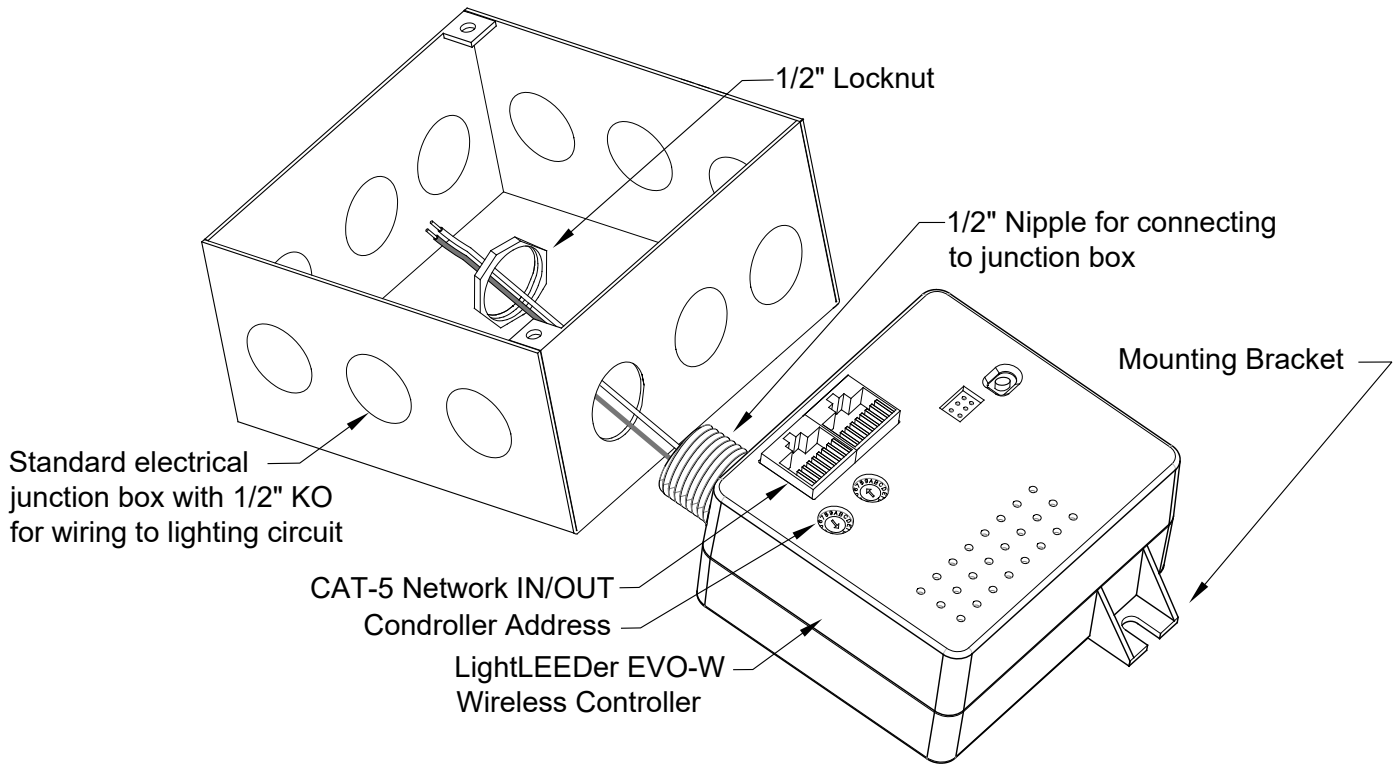


LightLEEDer EVO-W Wireless Controller Installation Details



Installing the LLEVO-W Wireless Controller:

- Mount the remote LLEVO-W wireless controller in an easy to access location, typically at the power junction box centrally located to the area to be controlled.
- For best performance always place the LLEVO-W where its radio is not obstructed by metal enclosures or subject to equipment with high EMF noise.
- Verify that the LLEVO-W is within 50 feet line of sight to all switch stations and relays intended to be linked to the controller.
- Mount the LLEVO-W to the junction box using the 1/2" nipple and secure the controller using the 1/2" locknut provided and mounting bracket.
- Terminate the line voltage lighting circuit 120 or 277VAC power leads to the controller as required by NEC Code.
- Run CAT-5 data cable from the ILC panel network to the LLEVO-W controller In/Out ports to add this controller to the system.
- Set the controller's unique address (2-digit HEX) and record for future reference.
- The LLEVO-W can be programmed for stand alone or network operation from the ILC network system, refer to LL-Pro software instructions.
- To link the LightLEEDer wireless relays, and LightSync G3 wireless switches to the LLEVO-W controller refer to TB0402 .