

Apprentice 3 2-Pole Relay Installation Details

Relay Board Instructions:

1. Power down the circuits in the panel.
2. Remove fishpaper barrier(s). *
3. Remove the line and load wires.
4. Remove the relay board retaining screw.
5. Pull the relay board from the connector on the relay output board.
6. Reverse instructions to install replacement relay.

* Note: The High Voltage Barriers in the panel need to be replaced with the installation of the 2PR (2-pole) relay. Order part number 78001567 for the 4 size panel barrier or 78001568 for the 8, 16, 24 and 32 size panel barrier.

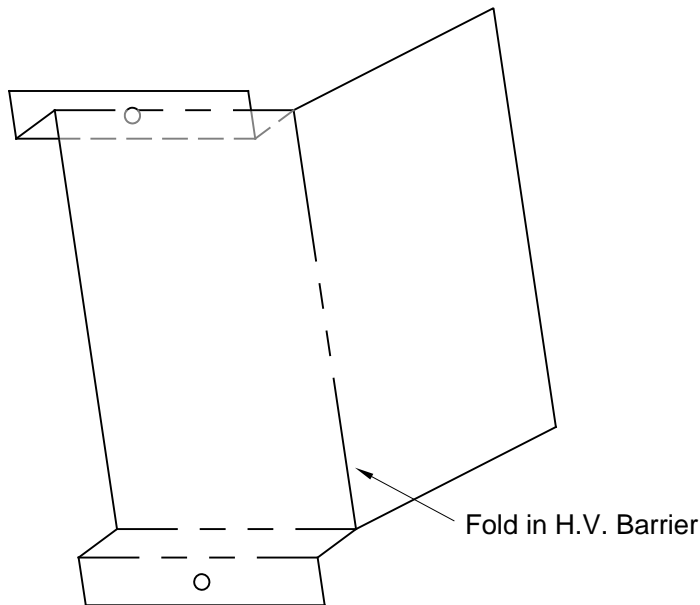
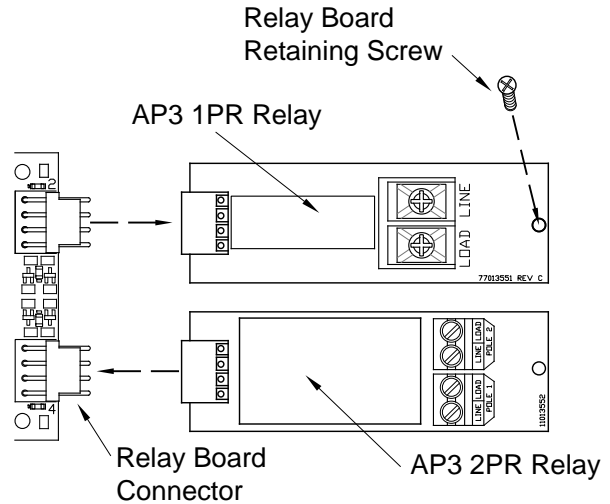


Figure A. AP3-4 panel H.V. Barrier

When Installing a 2PR relay in the Apprentice 3 panel you are required to also change the high voltage barrier to accommodate the high of the 2PR Relay. This High Voltage Barrier is required to comply with the panels UL listing.

Figure A, Barrier for AP3-4 panels, 1 required for every 2 relays. Order part #78001567

Figure B, Barrier for AP3-8,16, 24, 32 panels, 1 required for every 4 relays. Order part #78001568

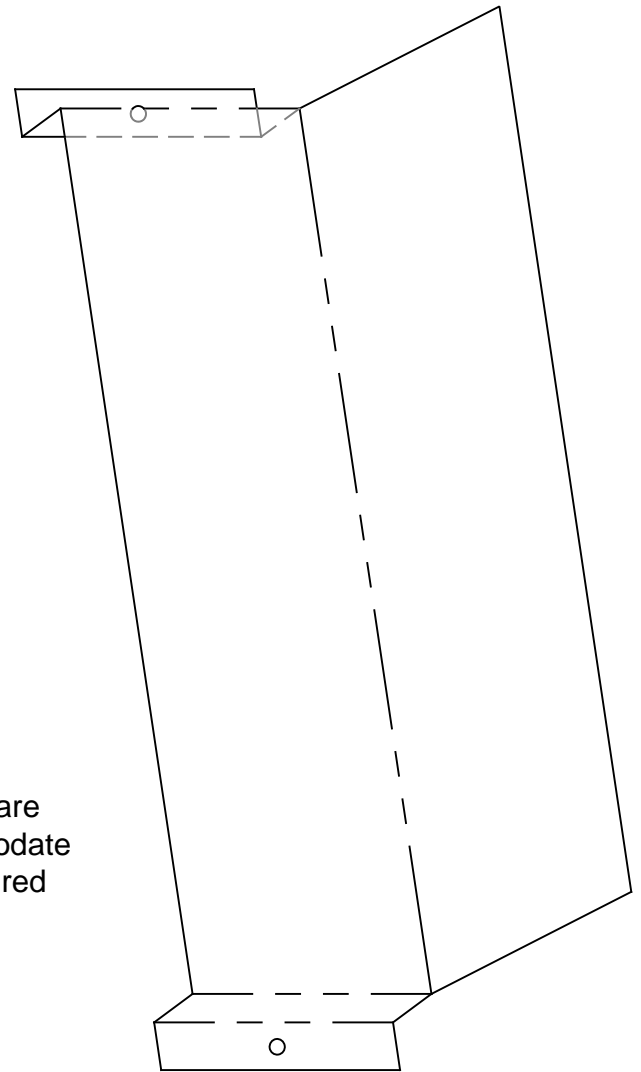


Figure B. AP3-8,16, 24, 32 panel H.V. Barrier