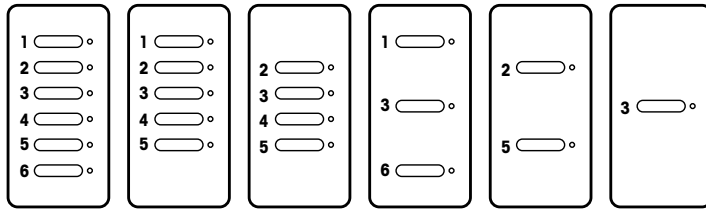
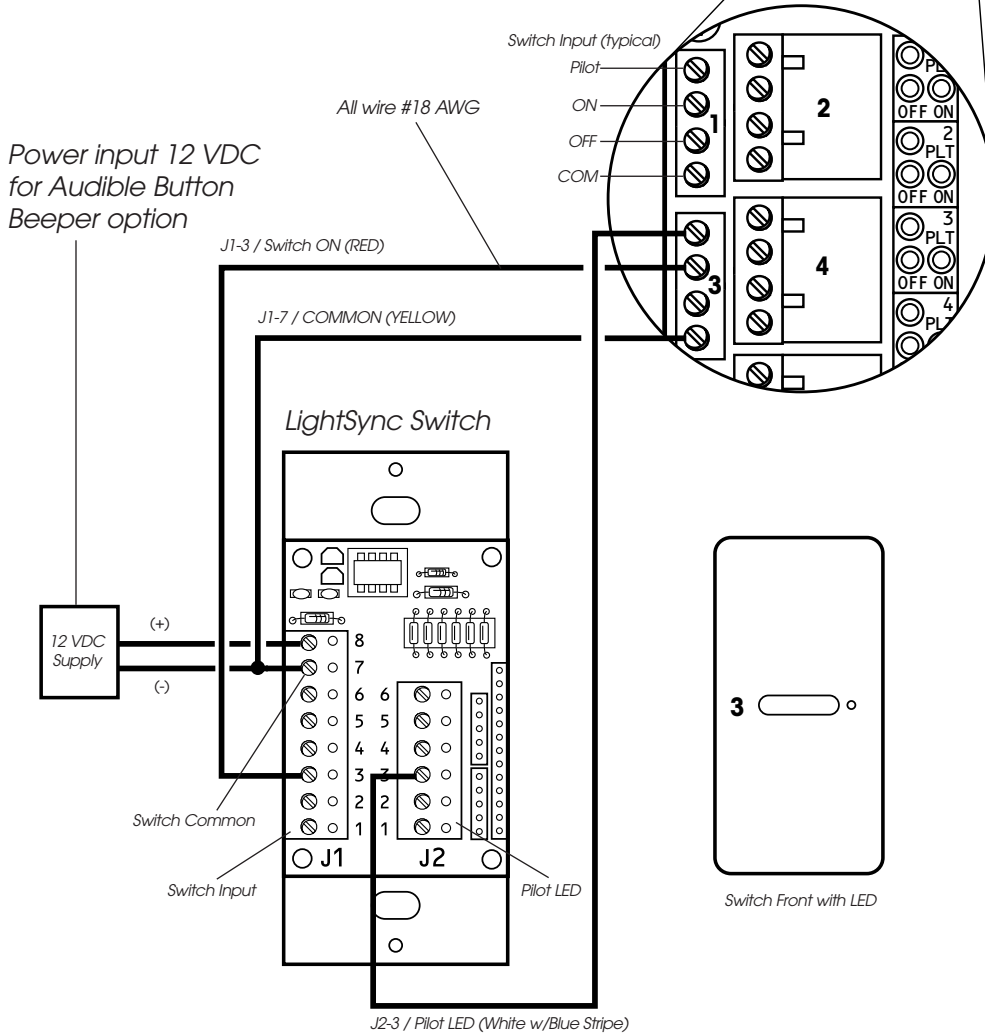
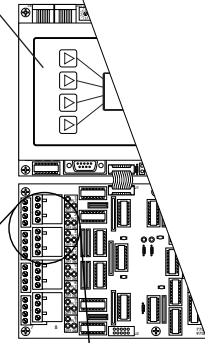


# LightSync™ Direct Wiring to LightMaster Panel

LightMaster Controller switch input to be programmed as "Momentary Pushbutton"



Switch and LED input terminals to match button terminal numbers for each switch configuration.



LightSync Single Button Wiring Shown