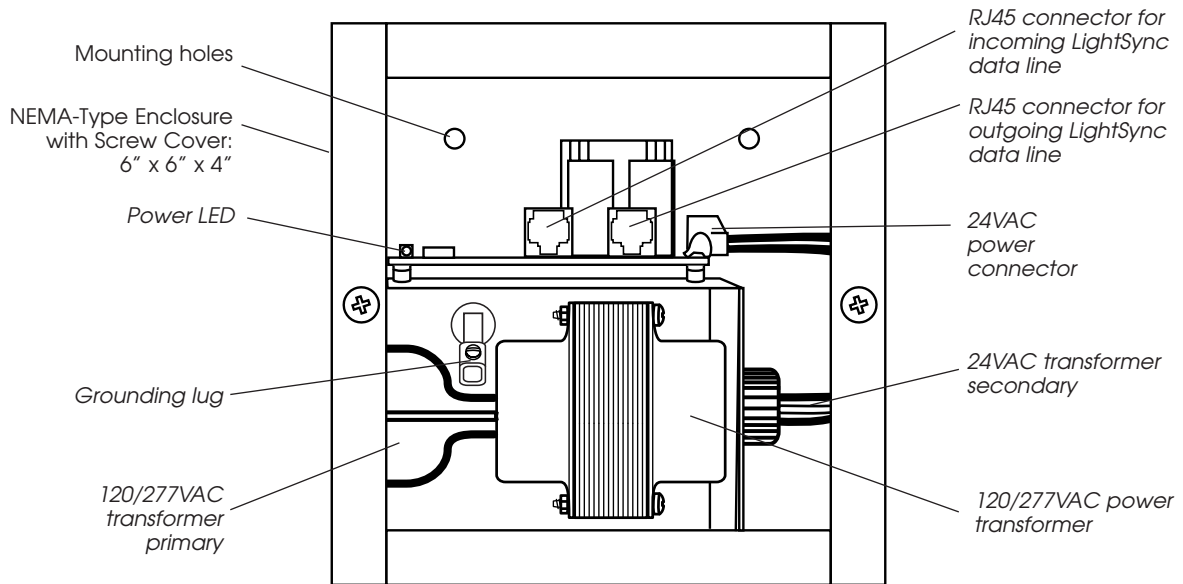
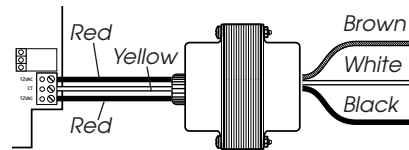


# LightSync™ Power Supply Installation



LightSync Power Supply (PS) Detail



PS Transformer Termination Detail

**General:** A PS operates on the LightSync data line and adds power to supply additional devices. This device has one incoming and one outgoing RJ45 port and is the most efficient option to compensate for voltage drop from multiple LightSync devices on the data line. The PS will power up to 20 LightSync devices for an additional 3000 cumulative feet. Note that a PS provides power only and does not repeat data.

**Physical:**

- Mounts in relay panel or remotely
- Operates in any position

**Electrical:**

- 120/277VAC transformer

**Capacities:**

- Powers up to 20 additional LightSync devices
- Extends LightSync power run 3000 cumulative feet

## IMPORTANT LIGHTSYNC DATA LINE NOTES

- 1. Total Data Line Overall Distance:** The total data line end to end distance may not exceed 3000 feet without the addition of a PSR to the data line. Only a PSR will extend the data line.
- 2. Total number of LightSync devices powered:** No Lightmaster controller panel can power more than eight (8) LightSync devices on the data line without a PS, PSR or LightSync Hub (each can power up to 20 additional LightSync devices).
- 3. Total Power Cumulative Distance:** The cumulative distance from each device to its power supply may not exceed 2000 feet if powered by a Lightmaster panel, or 3000 feet if powered by a PS, PSR or LightSync Hub.



Energy Saving Lighting Controls

INTELLIGENT LIGHTING CONTROLS, INC.

5229 Edina Industrial Boulevard  
Minneapolis, Minnesota 55439  
Phone 952 829 1900  
FAX 952 829 1901  
www.ilc-usa.com

ID0608\_revA