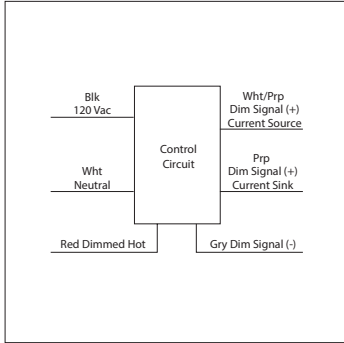


ILC-LR01F600

0-10V Controlled Phase Angle Dimmer, 600W,
 120 Vac Power, Dimming Mode Selectable

0-10V CONTROLLED PHASE ANGLE DIMMER



SPECIFICATIONS

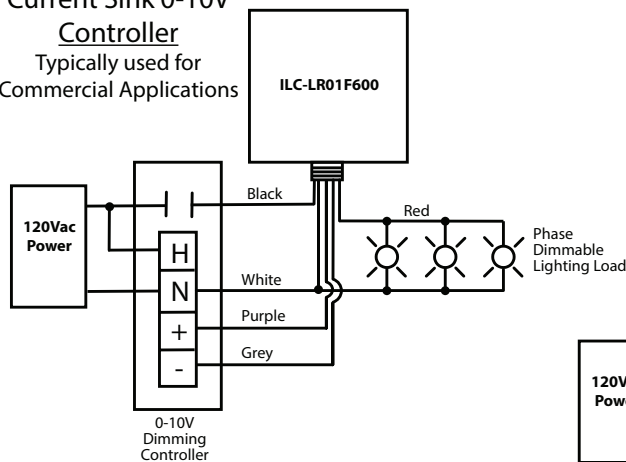
- Operating Temperature:** -30 to 122 F
- Humidity Range:** 5 to 95% (noncondensing)
- Red LED:** Power Status
- Dimensions:** 4.00" x 4.00" x 1.80" with .50" NPT Nipple
- Wires:** 16", 600V rated
- Approvals:** UL Listed, UL916, C-UL, RoHS
- Housing Rating:** UL Accepted, NEMA 1
- Max Lighting Load:** 600W
- Selectable Dimming Mode:** Yes
- Selectable Low Dim Threshold:** No
- Power Input Ratings:** 100mA @ 120 Vac; 60Hz

- Notes:**
- DIP switches on unit can change dimming between leading or trailing edge and between sinking or sourcing 0-10V control standards.
 - Purple wire is used with Current Sink 0-10V controllers and White/Purple wires are used with Current Source 0-10V controllers.

Switch Settings		
Switch 1	ON	Leading Edge Dimming
Switch 1	OFF	Trailing Edge Dimming
Switch 2	ON	Current Source 0-10V
Switch 2	OFF	Current Sink 0-10V

TYPICAL APPLICATION

Current Sink 0-10V Controller
 Typically used for Commercial Applications



Current Source 0-10V Controller
 Typically used for Theatrical Applications

