

Overview

The ILC Remote 20 (R20) and Remote 20 Dimming (R20D) relays are designed to be mounted at the power junction box or lighting fixture for direct control of the lighting load. Relays are controlled from the EVO panel using a standard CAT-5 cable connection to the R20 relay RJ-45 jack for easy installation. The R20 series relay uses oversized contacts designed to handle LED inrush current, tested at 16 Amps electronic driver that can commonly exceed 200% of running current. The R20 is a latching relay to eliminate power consumption. The R20D has galvanically isolated 0-10V dimming from the LL-EVO panel for direct wiring to the dimming driver without needing to pull separate 0-10V wiring back to the controller. Power loss failure at the EVO panel will force dimmer output level to 100%.



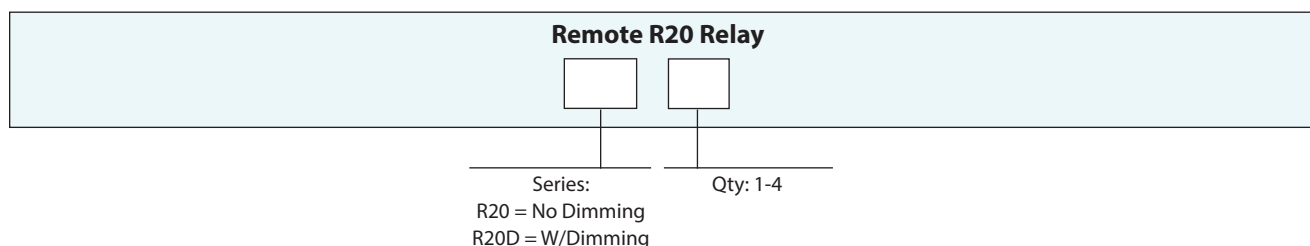
Features

- **Made in the USA**
- **Digital Cat-5 Ready**
- **Remote R20** controlled from LL-EVO panel up to 100 feet
- **16 Amp** rating for suitable lighting loads
- **Plug-load** compatible
- **Latching** relay holds position without presence of power, saving energy
- **Direct mounting** at power junction box or light fixture with 1/2" K.O.
- **RJ-45** connector for Cat-5 cable to EVO panel
- **6" Wire leads** for line/load and dimming connections
- **600V rated wire allows 0-10V in high voltage compartment**
- **Galvanically Isolated** 0-10 dimming control
- **100% Dim level at power loss of the LL-EVO controller**
- **UL and CUL listed**
- **Plenum rated** enclosure

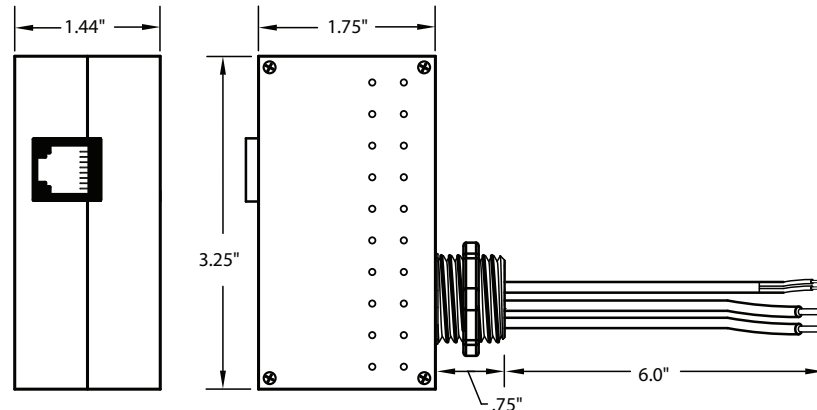
Warranty

Six-year limited warranty

Ordering



Physical



Specifications

Safeguards:

- Oversized contacts to extend relay life
- 600VAC rated 0-10V leads
- Galvanically isolation to 1500V for the 0-10VDC dimmer outputs, with revert to 100% on power loss

Physical:

- Dimensions 3.25" x 1.75" x 1.44"
- Black glass-filled ABS plastic enclosure
- 1/2" nipple for mounting to electrical box
- 6" wire leads for connections provided
- RJ45 connectors provide for easy connection

Low Voltage Control:

- 100' operational distance from controller over CAT-5
- Isolated 0-10V dimming control for R20D relay

Electrical:

- 16Amps, 120/277/347 VAC resistive
- 16Amps, 120/277/347 VAC general loads
- 16Amps, 120/277/347 VAC HID and ballast
- 16Amps, 120/277/347 VAC electronic ballast (LED)
- 1/2HP @120VAC motor load
- 100mA sink for 0-10V dimming
- Plug-load compatible

Operating Environment:

- Location: Interior Space
- Operating Temp.: 0° to 50° C
- Humidity: 10% to 90% Non-condensing
- Atmosphere: Non-explosive/corrosive
- Vibration: Stationary

Certifications: (pending)

- UL and CUL Listed
- FCC
- Plenum rated