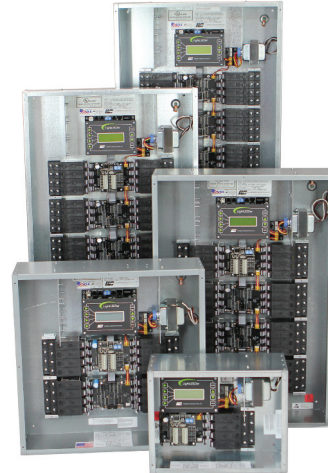


LightLEEDer
Programmable Lighting Control

Overview

The LightLEEDer programmable lighting control panel is the key to a powerful, dependable, flexible and energy efficient lighting system. LightLEEDer panels come with our new Reliant40 relays which feature a superior four contact design — the first true 40Amp lighting relay. Reliant40 relays come in 1-, 2- and 3-pole configurations in a robust breaker-style body. LightLEEDer panels range in size from 4 to 64 relay capacity and are equipped with CAT-5 RJ45 connectors for LightSync data line devices and interconnecting panels. Panels include a keyboard and LCD screen, along with USB and TCP/IP connections for easy programming with our free LightLEEDer Pro Software. Add-on modules are available for connecting to BAS, theatrical, or security systems.



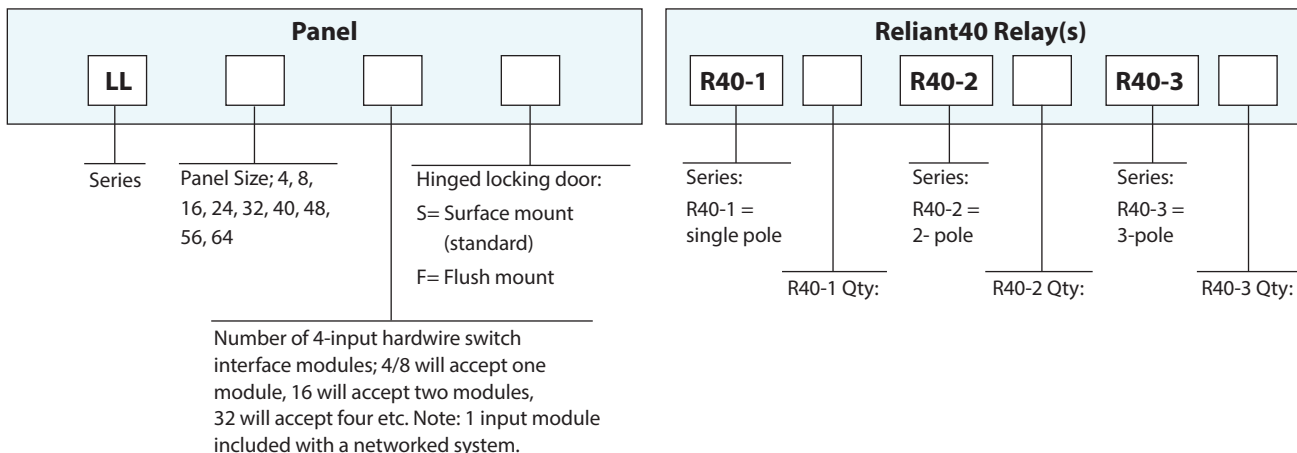
Features

- **Made in the USA**
- **Digital CAT 5** ready
- **Automatic** receptacle plug load and lighting circuit control
- **Programming Options** are done with a Integrated keypad with 4-line LCD display or using LightLEEDer Pro software via USB or TCP/IP.
- **Network Capability** allows you to connect up to 254 panels and 64 LightSync devices per panel, plus an additional 254 devices on the panel network.
- **Internet Capability** to interconnect panels across the internet.
- **Relay Groups** can comprise any relay on the network and be assigned to any of the 256 available groups — controlled by any timer, switch, or other external commands.
- **Relay Presets** can be programmed from any relay ON/OFF patterns and be assigned to any of the 256 available presets — controlled by any timer, switch, or other external commands.
- **Timer Scheduling** for **128 available timers** that can turn relays ON or OFF for Time-of-Day, Astronomical times, and Open/Close.
- **Clock Functions** include Automatic Astronomical calculation of Sunrise and Sunset, Adjustable Daylight Saving Time and Enable/Disable.
- **Switching Inputs** accepts virtually any type of switch, momentary or maintained, 2- or 3-wire switch and directly powers motion sensors, data line switches and devices.
- **Switch Input Flexibility** is provided with time-of-day function change and also has “and/or” logic built in.
- **Add-On Modules** available for each controller, and include BACnet IP, BACnet MSTP, Modbus RTU, Modbus ASCII, N2, LonWorks, DMX512, DTMF telephone switching and modem.

Warranty

Six-year limited warranty

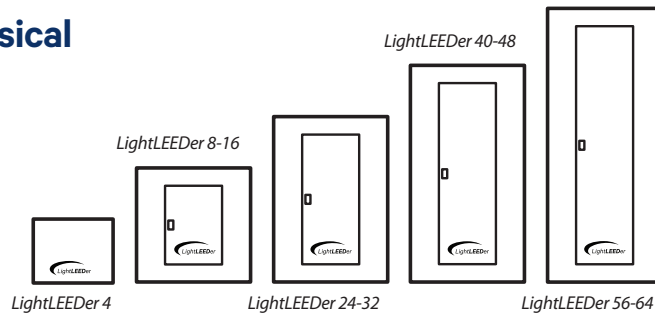
Ordering



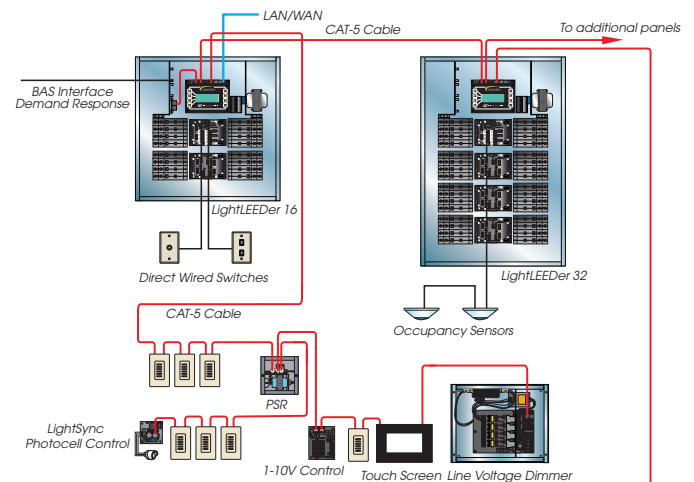
LightLEEDer

Programmable Lighting Control

Physical



Enclosure Size Options (NEMA Type 1 w/cover)				
Enclosure Type	Relays	Width	Height	Depth
LightLEEDer 4	1 to 4	14 in.	11 in.	6 in.
LightLEEDer 8-16	1 to 16	20 in.	20 in.	6 in.
LightLEEDer 24-32	1 to 32	20 in.	29 in.	6 in.
LightLEEDer 40-48	1 to 48	20 in.	38 in.	6 in.
LightLEEDer 56-64	1 to 64	20 in.	48 in.	6 in.



Specifications

Relays:

- Superior breaker style design
- Switch type override control
- Lockout feature disables control from panel
- 40 Amps @ 120, 277 and 347 VAC
- 1-, 2-, or 3-pole configurations

Safeguards:

- **Power surge and spike suppression** up to 123 volts on the 24VAC power input
- **Data Line surge and spike suppression** up to 8Kv and 15Kv through air
- **Memory retention** for firmware and programming up to 200 years and electrostatic discharge to 4Kv
- **Real-Time-Clock time retention** 45 days or greater without power
- **Internal memory backup** and restore

Physical:

- Double-sided construction for mounting directly to breaker box or stand alone
- Pre-drilled mounting holes for easy installation
- Provided with a removable hinged locking door mount door, or optional flush mount door. 4 size enclosure provided with a screw cover.

- High voltage barriers separate Normal/Emergency and Class 1/Class 2 wiring
- Optional NEMA 4 and 4X enclosures available

Electrical:

- 120 or 277 VAC @ 1 Amp, 347 VAC optional

Capacities:

- Up to 64 single pole relays
- 2 to 4 add-on modules

Operating Environment:

- Location: Interior space
- Operating Temp.: 0° to 50° C
- Humidity: 10% - 90% Non-condensing
- Atmosphere: Non-explosive/corrosive
- Vibration: Stationary

Certifications and Approvals:

- UL
- CUL
- FCC Part 15
- FCC Part 68
- Title 24
- ASHRAE compliant