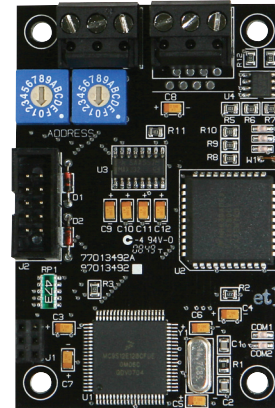


**LightSync Digital**      **Serial Interface Control Modules**

### Overview

The LightSync Serial Interface Module can be added to any panel to provide control from any building automation system using BACnet IP, BACnet MSTP, Modbus RTU, Modbus ASCII, Modbus TCP, Metasys N2, or ILC serial protocol. With the panel module, commands can be sent to the panel to force relays ON and OFF, force relays On and OFF with a timer option (blink, double blink, HID delay, Alarm ON, Alarm OFF, Pulse ON, and Pulse OFF), monitor relay status, monitor input status, and enable/disable inputs. A single point gateway is available for control and status of relays, groups, presets, and maintained LightSynce inputs on the network.



### Features

- **Made in the USA**
- **Direct communications** for BAS control of lighting panel
- **Direct control** of any relay output giving complete control
- **True status** of relays in the lighting panel
- **Timer option** commands available for blink alerts and alarms
- **Allows enable/disable** commands for switch inputs
- **Installs directly** into any panel
- **Extractable files** from BACnet modules

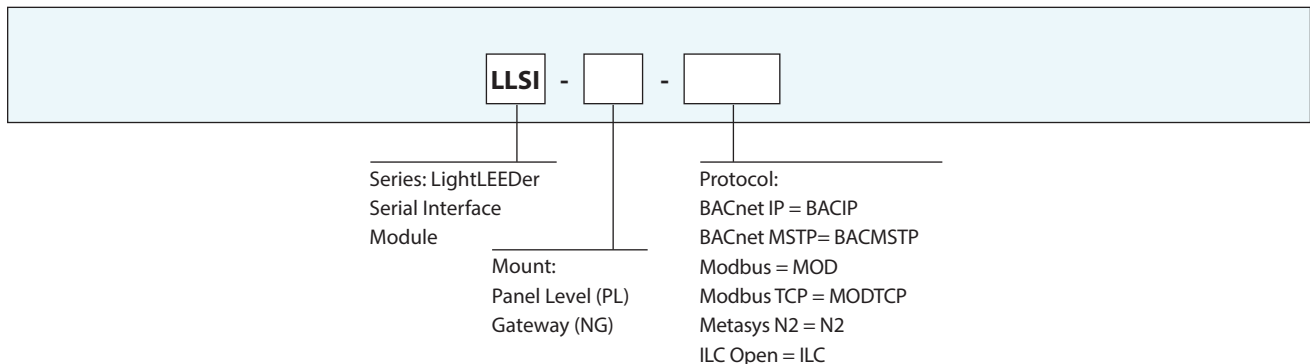
### Protocols

- **BACnet IP**– an ASHRAE protocol communicating on a TCP/IP network
- **BACnet MSTP**– an ASHRAE protocol communicating on a RS485 network
- **Modbus RTU**– a Modicon protocol communicating on RS485/RS232 in a binary coded format
- **Modbus ASCII**– a Modicon protocol communicating on RS485/RS232 in an ASCII coded format
- **Modbus TCP**– a Modicon protocol communicating on a TCP/IP network
- **Metasys N2**– a Johnson Controls protocol communicating on RS485
- **ILC Open Protocol**– an ILC protocol communicating on RS485/RS232 in an ASCII coded format

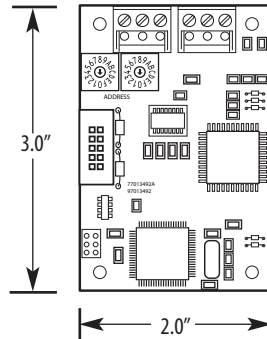
### Warranty

Six-year limited warranty

### Ordering



## Physical



NOTE: Physical appearance may vary between protocols.

## Specifications

### Physical:

- Dimensions: 2" Wide X 3" High
- RJ45 connectors for Ethernet based communications
- Removable screw connectors for data line communications

### Electrical:

- Powered from the panel

### Operating Environment:

- Location: Interior space
- Operating Temp.: 0° to 50° C
- Humidity: 10% - 90% Non-condensing
- Atmosphere: Non-explosive/corrosive
- Vibration: Stationary

### Certifications and Approvals:

- FCC Part 15