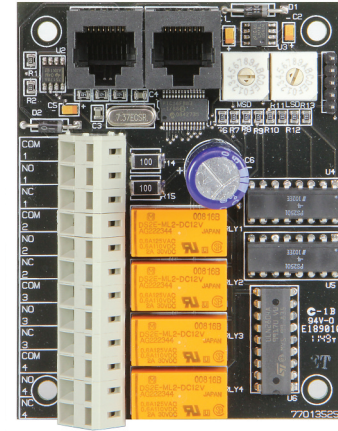


LightLEEDer

Dry Contact Output Board

Overview

The LightLEEDer Dry Contact Output Board provides 4 isolated dry contact digital outputs. This board can interface any system that can recognize a momentary or maintained dry contact closure. Common applications for this device are interfacing building automation systems, security systems, and triggering dimming presets in other systems. Each board is provided with push-to-connect connectors for easy termination and is provided in panel or remote mounting styles.



Features

- **Made in the USA**
- **Digital CAT-5 Ready**
- **4 independent** dry contact outputs are provided per module
- **Used** as an expansion of relays from the local port
- **Standard maintained closure** operation or optional momentary 1-second closure
- **Outputs** have normally open and normally closed contacts
- **Isolation** between each output
- **Optically isolated** to protect electronics
- **Capable of controlling** up to 1.6 Amps @ 30VDC for each output
- **Digitally addressable** device for a unique address
- **Remote mounting** ability on the Local LightSync network
- **Push-to-Connect** terminations for easy installation

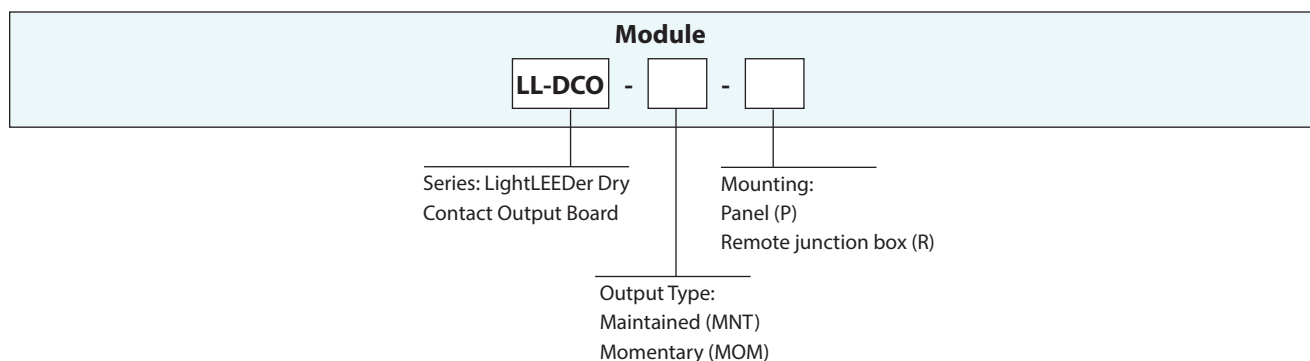
Remote Mounting Options:

- **Remote mount** anywhere on the Local LightSync network
- **Powered** from the network
- **RJ45 connectors** provided for easy connection
- **Mounting plate** available for easy installation

Warranty

Six-year limited warranty

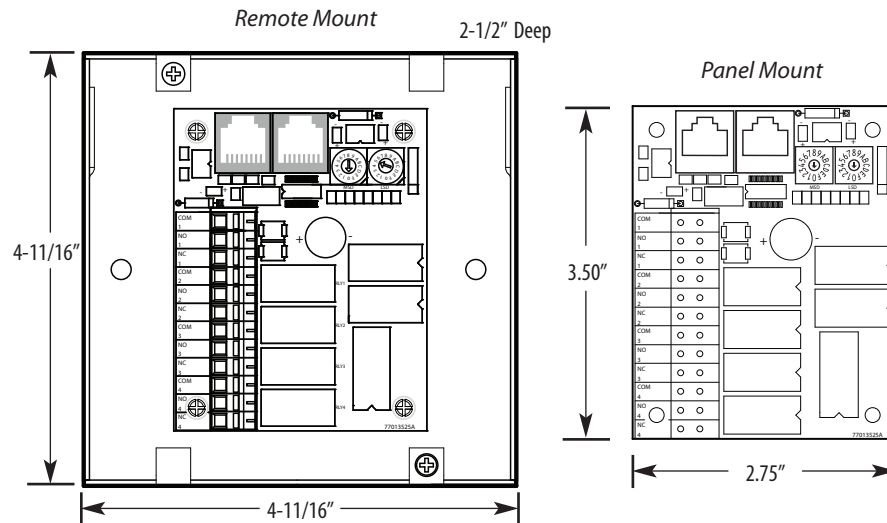
Ordering



LightLEEDer

Modem Module

Physical



Specifications

Physical:

- 2.75" Wide X 3.50" High
- Remote mounted 4-11/16" junction box
- Push-to-connect output connectors
- Accepts up to 2 - #18 AWG wires per connection
- Digital addressing switches
- RJ45 connectors for remote mounting options

Electrical:

- Electronics powered from the panel Local port
- 1.6 amps @30VDC load capacity

Operating Environment:

- Location: Interior space
- Operating Temp.: 0° to 50° C
- Humidity: 10% - 90% Non-condensing
- Atmosphere: Non-explosive/corrosive
- Vibration: Stationary

Certifications and Approvals:

- UL
- CUL
- FCC Part 15