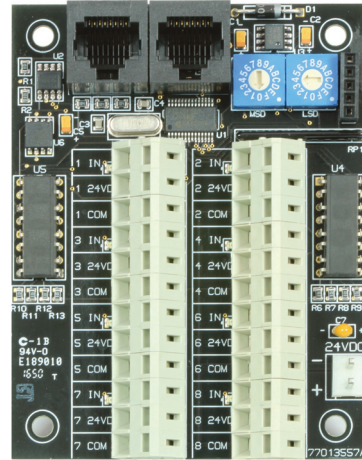


LightSync Digital **Occupancy Sensor Module**

Overview

The LightSync Digital Occupancy Sensor module is designed with 8 occupancy sensor inputs that provides power for multiple occupancy sensors. The LSOSM comes pre-configured as a standard occupancy sensor, and contain programmable conditionals for each Input. This allows you to utilize "AND"/"OR" logic schemes for any combination of inputs and pilots. Any input can be programmed to control any relay(s), group(s), or preset(s) in any or all panels. Each input has an associated LED on the board that activates when the input is closed.



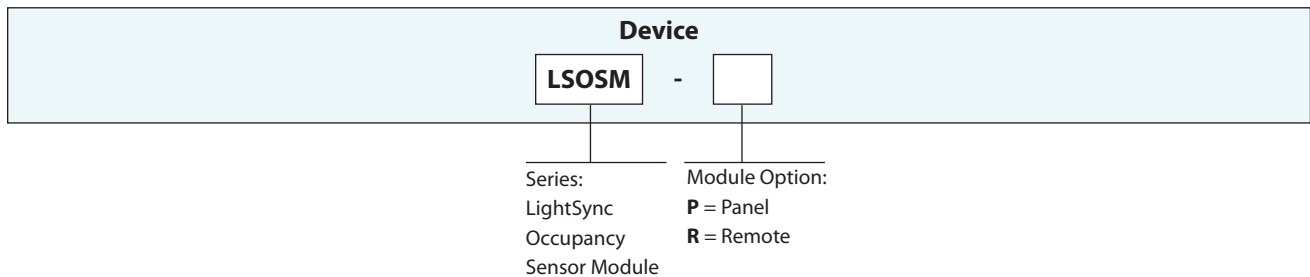
Features

- **Made in the USA**
- **Digital CAT-5 Ready**
- **8 Conditional** occupancy sensor inputs per module
- **Provides Power** and inputs for occupancy sensors
- **Programmable** conditional logic
- **Accepts 2 wire** maintained or momentary closures
- **Connectors** are non-screw push-to-connect type
- **Switch closure LED** status for each input
- **Optically isolated** inputs to protect electronics
- **Panel mount (P)** installs directly in the panel
- **Remote mount (R)** provided with electrical enclosure
- **Power** from 120/277VAC power supply
- **Software** logic programming provided

Warranty

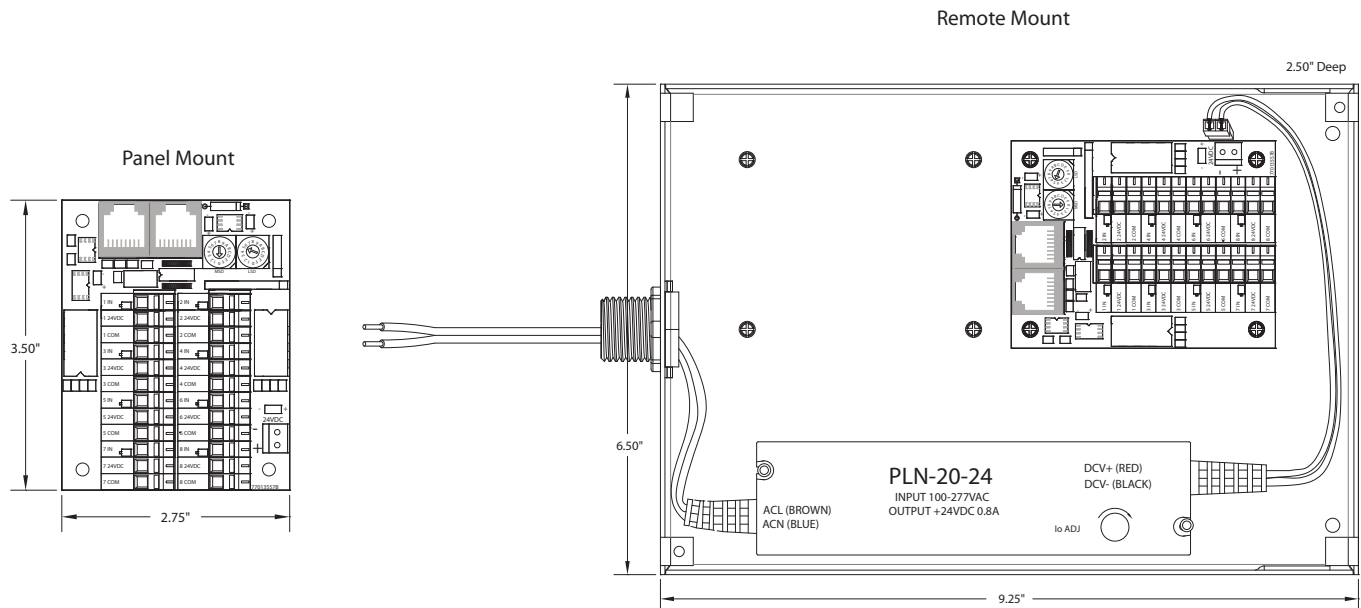
Six-year limited warranty

Ordering



LightSync Digital

Occupancy Sensor Module



Specifications

Safeguards:

- Optically isolated inputs protect electronics

Physical:

- 2.75" Wide X 3.5" High
- Easy non-screw push-to-connect terminals
- Digital addressing switches
- RJ45 connectors for data line connection
- Remote (R) option provided in a 6.5"x9.25"x2.50" enclosure with 1/2" connector and screw cover.

Electrical:

- Electronics powered from LightSync data line
- Input: 120/277VAC @ 400mA
- Output: 24VDC @ 800mA
- Current limited circuit

Operating Environment:

- Location: Interior space
- Operating Temp.: 0° to 50° C
- Humidity: 10% - 90% Non-condensing
- Atmosphere: Non-explosive/corrosive
- Vibration: Stationary

Certifications and Approvals:

- FCC Part 15
- UL
- CUL