

LightLEEDer

EVO-Wireless

Overview

The LightLEEDer EVO-Wireless controller (LLEVO-W) is a distributed lighting control panel that simplifies installation and connects with ILC wireless relays, LSG3-W switches, occupancy and photo sensors. The LLEVO-W controller provides all the same control options as a standard wired EVO controller, with the enhanced wireless radio connection to inputs and outputs. This controller has a button for cycling the attached relays and CAT-5 ports for the ILC network. The LLEVO-W controller keeps installation costs and labor low by using wireless communication to relays, switches, and sensors.



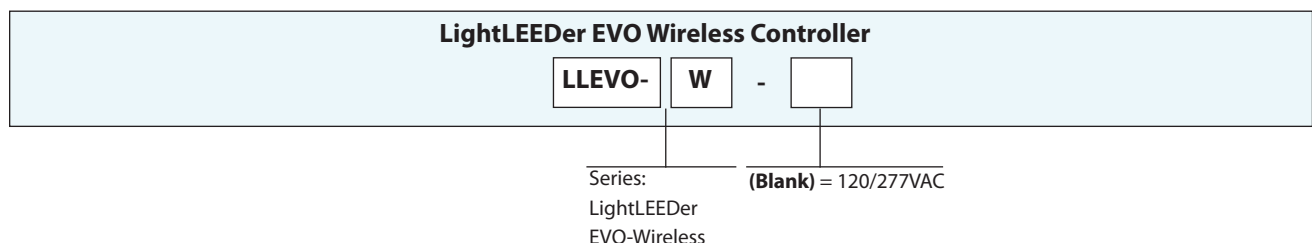
Features

- **Made in the USA**
- **915Mhz radio communication** with 50 foot line of site distance
- **Distributed** lighting controller
- **Digital CAT-5** connection to ILC panel network
- **Link** to 64 wireless relays
- **Link** to 64 wireless LSG3-W switches or sensors
- **Push button** to cycle the attached relays with status LED
- **Standalone or networked** with any LightLEEDer controller
- **Time clock** includes 7/365-day calendar, Daylight Savings Time, Astronomic, Open/Close
- **RJ45 connectors** for networking with other LightLEEDer panels, LLEVO or LLEVO-W controllers
- **Enclosure**, suitable for plenum mounting

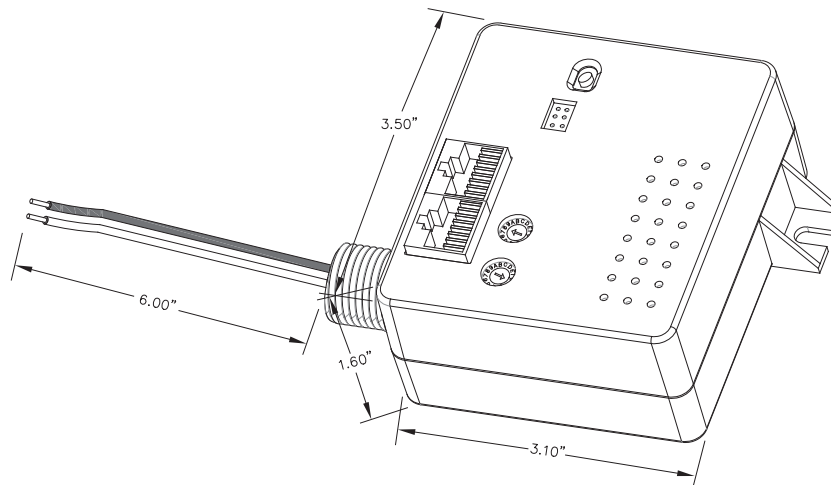
Warranty

Six Years Limited Warranty

Ordering



Physical



Specifications

Safeguards:

- Power surge and spike suppression up to 123 volts on the 20VAC power input to controller
- Memory retention for firmware and programming up to 200 years and electrostatic discharge to 4kv
- Real time clock retention 45 days or greater without power

Physical:

- Enclosure 3.10" x 3.50" x 1.60"
- Polycarbonate enclosure
- ½" nipple for mounting to electrical box
- 6" wire leads for high voltage connections
- Color coded leads for easy wiring
- Conduit nut provided

Integrated Interfaces:

- RJ-45 ports for ILC LL network connection
- Wireless 915Mhz transceiver
- Unique ID factory set
- Bluetooth interface for ILC-Pro App programming
- Wireless radio for ILC-SWX wireless sensors
- LL Panel address switches

Electrical:

- 120/277VAC @.6 amps

Operating Environment:

- Location: Interior space
- Operating Temperature: 0° to 50° C
- Humidity: 10% - 90% Non-condensing
- Atmosphere: Non-explosive/corrosive
- Vibration: Stationary

Certifications and Approvals:

- UL CUL 916/924
- Plenum Rated UL 2043
- FCC Part 15